



**3-BASKET VAC KIT FOR  
8000-G AND PROFESSIONAL-G  
SERIES TRACTORS**

NOTE

Read this manual carefully and learn to operate and service your grass catcher before using it.

To keep the warranty, the grass catcher must be maintained and operated as directed in this manual.

All references to "left-side", "right-side", "front", and "back" are given from the operator's position.

Use the serial number to ensure prompt and correct service when ordering parts, requesting service, or making inquiries.

SERIAL NUMBER \_\_\_\_\_



Look for this symbol to point out important safety precautions. It means -- ATTENTION! BECOME ALERT! YOUR SAFETY IS INVOLVED.

## CONTENTS

1. INSTRUCTIONS FOR SAFE OPERATION
2. OPERATING INSTRUCTIONS
3. SERVICE INSTRUCTIONS
4. ILLUSTRATED PARTS AND PARTS LIST
5. INSTALLATION
6. WARRANTY

## SECTION 1

### Instructions for Safe Operation

Improper use of this grass vacuum can injure people and damage the equipment. People using or servicing this grass catcher must read and follow the instructions in this manual.

It is important to understand that this manual and any other Gravely instruction manuals do not cover every possible danger. It is impossible for Gravely to know of all possible dangers in operating and servicing the tractor and attachments.

The purchaser must give these instructions to the people operating and maintaining this grass catcher. These people must use eye and foot protection.

#### 1.1 Preparation:

1. Read the tractor and the vac operator's manuals carefully.
2. Learn the location and function of all tractor and attachment controls.
3. Learn how to use the controls to stop the tractor and attachment.
4. Use caution with gasoline. Gasoline is very flammable. Keep it in a clean and tight container away from flames or hot items. Never put gasoline in the fuel tank while the engine is running or hot. Clean up spilled gasoline before starting engine.
5. Be certain that all shields, guards, and interlock switches are in the correct positions.
6. When hauling the tractor, connect the chassis and rear hitch to the transporting vehicle. Never connect from control levers, rods, or like items that could be damaged.
7. Operate the equipment only when discharge chute is in place or the complete grass catcher with collector boot and tube is in place.
8. As the vac basket fills with material, weight is removed from the front wheels. Limit the amount collected or add front weight to prevent loss of steering control.

## 1.2 Operation:

1. Wear foot and eye protection. Do not wear loose clothing.
2. Do not use the equipment in the dark without adequate lighting.
3. Keep the grass catcher in good condition. Maintain it as directed in this manual.
4. Replace all parts that become damaged or lost.
5. USE ONLY GRAVELY ACCESSORIES AND ATTACHMENT OR ATTACHMENTS GRAVELY HAS APPROVED FOR USE WITH THIS TRACTOR.
6. Do not overspeed the engine. Do not override the governor.
7. Keep away from moving parts.
8. Keep people and animals away from the operating area.
9. Do not let people other than the operator ride on the tractor.
10. Use a slow speed and engage the direction control lever slowly when operating on slopes.
11. Look for and keep away from hazards.
12. Shut engine off, move the PTO Control to "OFF", and remove ignition key before unclogging chute or removing grass catcher.
13. Look behind when operating in reverse.
14. After hitting an object with the equipment, stop the engine and check for damage. Repair any damage before continuing operation.
15. Operate the tractor only from the seat.
16. Travel up and down, not across slopes.
17. Never permit children to operate the tractor.
18. Before leaving the tractor, move the PTO Control to "OFF", lower mower, lock the brake, and remove the ignition key.

19. If there is a sudden change in the sound or vibration of the equipment, stop the engine and check for damage. Repair any damage or failure before continuing operation.
20. Never run the engine indoors except to move it outside. Exhaust fumes are dangerous.
21. Go slow on slick surfaces.
22. Follow traffic laws when operating on or near a road.
23. Before making adjustments or servicing, move the PTO to "OFF", turn the ignition switch to "OFF", and wait until all moving parts completely stop.
24. Check the mounting hardware for the blade and vanes frequently.
25. Keep the PTO control in the "OFF" position when transporting.

## SECTION 2

### Operating Instructions

#### 2.1 General:

1. When starting to cut grass with the vac in place, start at a slower than normal ground speed but with throttle set for high engine speed. Use the Gear Selector Lever to control speed. Select the gear for the best cutting and vac action. The heavier and wetter the grass, the slower the ground speed.
2. With lush, extra heavy or wet grass, it may be necessary to make two passes. First cut at maximum cutting height from ground surface, then recut at the lower setting. When the liners are full, they may be tied up while in the basket, then lifted from the baskets for disposal. It may be easier to remove the liners from the baskets by laying the basket on its side and removing the liner.
3. If the hose plugs, momentarily stop ground travel and allow it to clear. IF THE HOSE DOES NOT CLEAR, PUT THE PTO IN THE "OFF" POSITION AND STOP THE TRACTOR ENGINE BEFORE ATTEMPTING TO CLEAR THE HOSE.
4. Successful operation results from the thoughtful management of several variables:
  - a. Catcher will work best in dry grass. Between 10 a.m. and 6 p.m. would be an ideal time, after dampness has left in the morning but before evening dew.
  - b. Use fast throttle setting on the tractor at all times, since this gives better air flow in the basket or cart.
  - c. Try different travel speeds. Generally, third to fifth speeds are best.

#### 2.2 CAUTION:

1. Be sure the boot, hoses, and blower drive are properly assembled and secured prior to operating the vac and mower.
2. Always move the PTO to "OFF", turn the ignition switch to "OFF" and wait until all parts have stopped moving before unplugging the hoses.

### SECTION 3

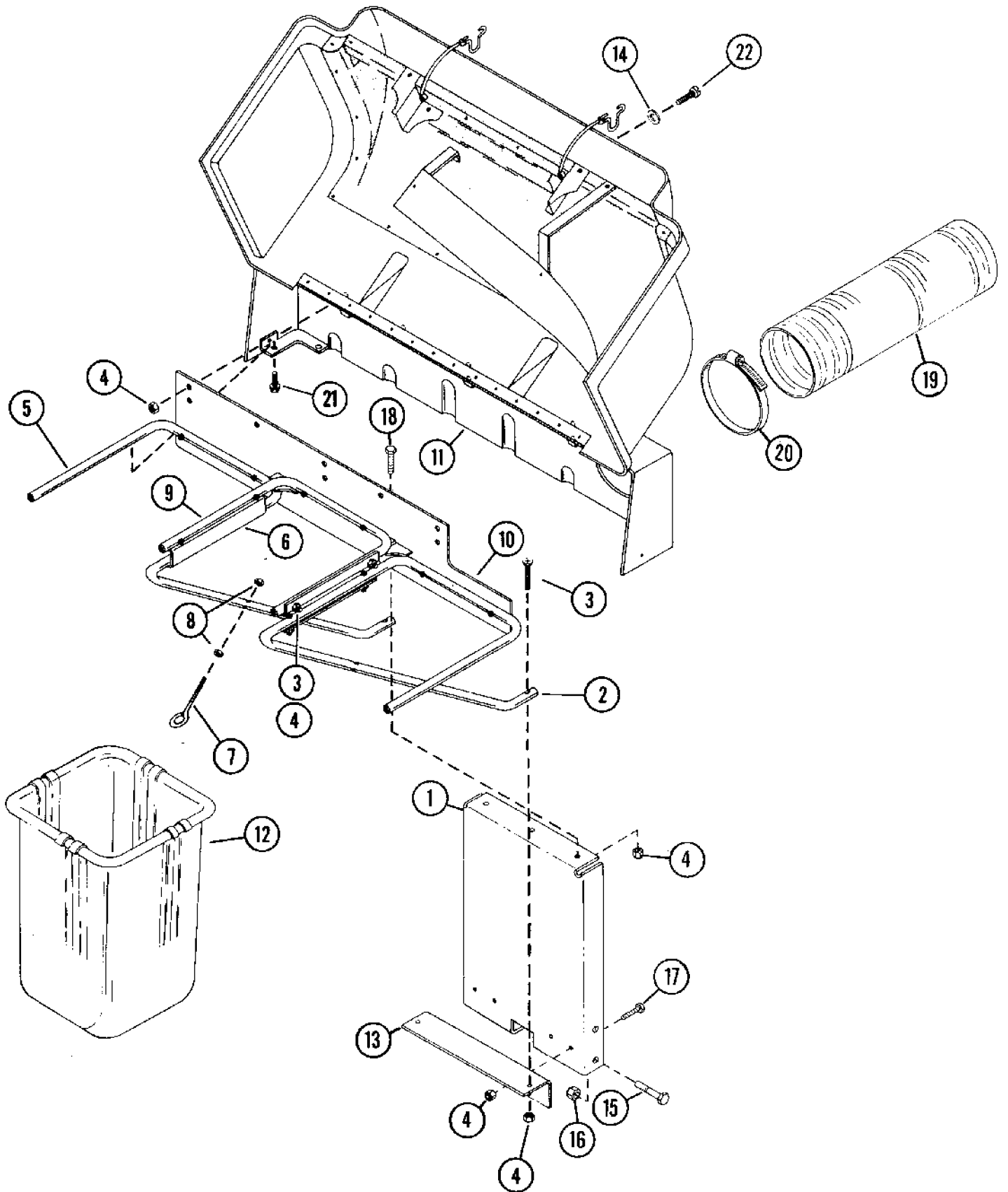
#### Service Instructions

- 3.1 When the Vac Stops Collecting, Check the Following:
1. Wrong blade on mower--be sure the mower has a sharp Gravelly blade on it.
  2. Low tip speed on blade--check engine RPM and increase to a maximum of 3300 RPM, decrease ground speed.
  3. High ground speed on tractor--shift to lower gear.
  4. Grass conditions--grass must be dry.



SECTION 4

Illustrated Parts and Parts List



ITEM NO.	PART NO.	QTY.	DESCRIPTION
1	42296	1	Support
2	38321	1	Right Tube
3	35809	16	Screw, Machine 5/16-18x1.50
4	419455	29	Nut, Lock 5/16-18
5	38322	1	Left Tube
6	38323	2	Tube Bracket
7	38324	2	Eyebolt
8	424215	4	Nut, Lock 1/4-20
9	38325	1	Center Tube
10	38534	1	Mounting Bracket
11	38535	1	Cover Assembly
12	38328	3	Grass Bagger Basket
13	38530	1	Bracket
14	38335	8	Washer, .339/.359x1.125x.063 P1
15	180175	4	Bolt, Hex 1/2-13x1.25
16	435507	4	Nut, Lock 1/2-13
17	180077	2	Bolt, Hex 5/16-18x.75
18	180079	3	Bolt, Hex 5/16-18x1.00
19	42299	1	Hose
20	38532	2	Hose Clamp
21	180073	4	Bolt, Hex 5/16-18x.50
22	38334	8	Screw, Machine 5/16-18x.75 T/Hd

SECTION 5

Installation Instructions

- 5.1 Install the vac on the tractor.
- 5.2 Attach the bracket to the support with two 5/16-18x.75 bolts and two lock nuts. See the illustration.
- 5.3 Attach the support to the drive frame with two 1/2-13x1.25 bolts and two lock nuts on each side.

NOTE: To use this Three Basket Kit with Grass Catcher Blower and Frame Assembly (Part No. 40655), you must purchase and install the following additional parts:

PART NO.	QTY.	DESCRIPTION
38531	2	Riser
38533	1	Hose
180175	4	Bolt, Hex 1/2-13x1.25
435507	4	Nut, Lock 1/2-13

- Attach the two risers to the outside of the support with two 1/2-13x1.25 bolts and two lock nuts on each side. Do not tighten the bolts. See Figure 1 for correct position of the risers.
- Slide the risers into position on the drive frame and secure with two 1/2-13x1.25 bolts and two lock nuts on each side. Tighten the bolts holding the support.

- 5.4 Set the tube assembly on the support and secure to the mounting bracket with three 5/16-18x1 bolts and three lock nuts.

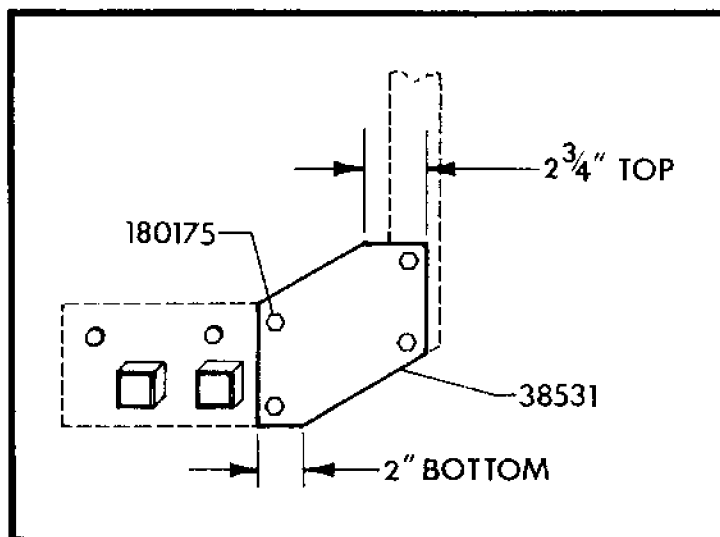


FIGURE 1

84014

- 5.5 Secure the two tubes to the bracket with 5/16-18x1.50 machine screws and lock nuts.
- 5.6 Install the cover assembly using eight machine screws, washers, and lock nuts.
- 5.7 Slide the baskets in place on the tube frame.
- 5.8 Close the cover and secure in place with hooks on eyebolts.
- 5.9 Slip a worm clamp over each end of the tube. Put one end of the tube on the blower outlet and the other end on the cover inlet. Tighten the clamps.

## SECTION 6

### LIMITED FIVE-YEAR WARRANTY

1. This Limited Five-Year Warranty is issued by Gravely International, Inc., only to the original purchaser. If Gravely equipment is leased by Gravely, this Warranty shall extend also to the original lessee as if such lessee were the original purchaser.
2. Gravely warrants that all new equipment manufactured by Gravely ("Gravely Products") shall be free of defects in material and workmanship for the term described in paragraph 4, below. Except as hereinafter provided, this Warranty does not cover any engine, tires or battery forming a part of the Gravely Product. Engine and tires are covered by and subject to separate warranties of the manufacturers thereof.
3. In the event that any Gravely Product warranted hereunder shall be defective or fail to conform with this Warranty, Gravely shall, subject to the provisions hereof, pay for, or provide labor and materials for, the repair or replacement of such defective Gravely Product.
4. This Warranty is for five years (60 months) from purchase date for Gravely Products used exclusively for personal, family or household purposes, and two years (24 months) for products used for other purposes (commercial use), excluding rental firms. Gravely products used for rental purposes will be warranted for 90 days. Repair of Gravely Products after the second year (24 months from date of purchase) shall be subject to a \$50.00 deductible for each repair. (After two years, Gravely agrees to repair or replace defective Gravely Products used exclusively for personal, family or household purposes only to the extent that the cost of such warranty covered repair or replacement exceeds \$50.00.)

Batteries are warranted by Gravely for a period of twelve (12) months only. If a battery shall fail within twelve (12) months of purchase, the replacement cost thereof shall be prorated over a twelve-month term based upon the number of months since purchase.
5. To obtain Warranty Service on a Gravely Product (including any battery or other component not manufactured by Gravely), use this procedure:
  - a. Notify the Gravely dealer from whom you purchased the equipment.
  - b. If you have moved and it is not convenient to notify the selling dealer, notify the nearest Gravely dealer. You should supply this dealer with a copy of the bill of sale as proof of the date of purchase.
  - c. Make arrangements to have the equipment delivered to the dealer (refer to paragraph 6 a., below).
  - d. If you have any questions concerning the Gravely Limited Warranty, they should be referred to:

Gravely International, Inc.  
One Gravely Lane  
Clemmons, NC 27012  
Attn: Customer Service Department
  - e. Warranty service on Gravely Products must be performed by an authorized Gravely dealer.
6. This Warranty does not cover the following:
  - a. Transportation to the Gravely dealership. (If the Gravely dealer provides transportation, he will charge for such service.)
  - b. Normal maintenance services and normal replacement of items such as spark plugs, belts, oil, oil filters, air filters, and mower, plow or cultivator blades, gauge wheels, skids and other wear items.
  - c. Any Gravely Product which has been altered or modified in any way.
  - d. Any repair or replacement occasioned by customer neglect or lack of proper maintenance. (The purchaser is responsible for making sure that Gravely Products are operated and serviced as directed in the applicable manual or service instruction. Incorrect use or maintenance will void this Warranty.)
  - e. Any repair occasioned by the use of any attachment not approved by Gravely. (The use of any such unapproved attachment will void this Warranty.)
7. GRAVELY MAKES NO OTHER EXPRESS OR IMPLIED WARRANTIES, OR WARRANTIES AS TO THE MERCHANTABILITY OR FITNESS FOR A PARTICULAR PURPOSE. ALL WARRANTIES ARE LIMITED IN DURATION TO THE TERMS SET OUT IN PARAGRAPH 4, ABOVE. GRAVELY SHALL HAVE NO LIABILITY FOR INCIDENTAL OR CONSEQUENTIAL DAMAGES RESULTING FROM THE BREACH OF ANY WARRANTY, INCLUDING, BUT NOT LIMITED TO, LIABILITY FOR INCONVENIENCE, RENTAL OR PURCHASE OF REPLACEMENT EQUIPMENT, OR FOR LOSS OF PROFITS OR OTHER COMMERCIAL LOSS.
8. Some states do not allow limitations on how long an implied warranty lasts, so the above statement may not apply to you. Some states do not allow the exclusion or limitation of incidental or consequential damages, so the above limitation or exclusion may not apply to you.
9. This Warranty gives you specific legal rights, and you may have other rights which vary from state to state.
10. A Gravely product registration card is supplied with each Gravely Product. Please complete the card and return it to Gravely at the address listed on the card. The equipment registration card will be used by Gravely for:
  - a. Recording date of purchase.
  - b. Notification of owners in compliance with the Consumer Product Safety Act, should any notification be necessary.The return of such card is necessary for your warranty to be effective.
11. This Warranty is not subject to change or modification by anyone, including Gravely dealers and no Gravely dealer is authorized to make any representations or promises on Gravely's behalf.



One Gravely Lane, Clemmons, NC 27012