



40" HIGH LIFT BLADE KIT

FORM NO. 53223(7-92)

PART NO. 53217

PRINTED IN USA
\$1.00

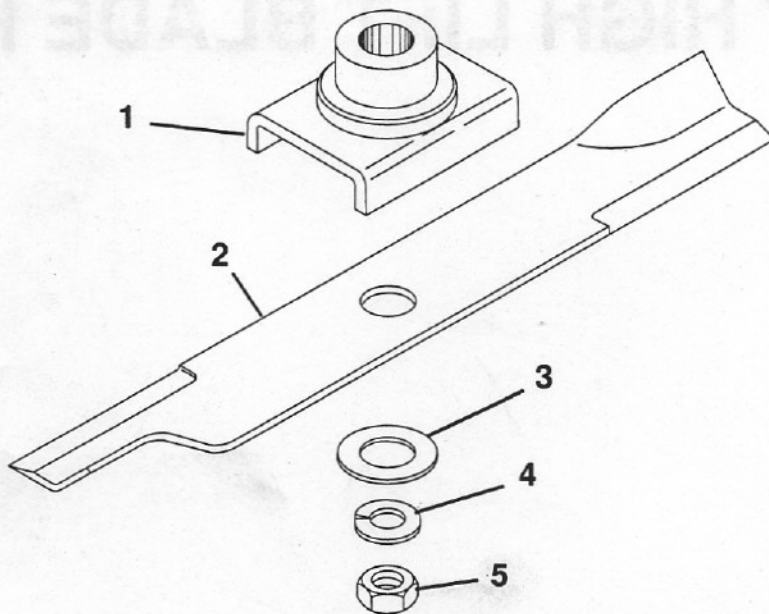
SECTION 1

INSTALLATION INSTRUCTIONS

1. Remove the mower from the tractor or power unit. See the Service Instruction Section of the mower Operator's Manual.
2. Turn the mower upside down or lift the front of the mower with a hoist or floor jack.
3. Block the blades and remove the nuts, flat washers, blades and blade cradle weldments from the spindles.
4. Install the new blade cradles and blades on the mower and retain with the flat washers, lock washers and hex nuts. Tighten the nuts to a torque of 120 ft.lbs. (163 N.m). Reinstall the mower on the tractor or power unit.

SECTION 2

ILLUSTRATED PARTS AND PARTS LIST



ITEM NO.	PART NO.	QTY.	DESCRIPTION	ITEM NO.	PART NO.	QTY.	DESCRIPTION
1	47684	3	Weldment, Blade Cradle	4	121574	3	Washer, Lock 5/8 SP
2	53216	3	Blade, 40" Mower	5	124589	3	Nut, Hex 5/8-11
3	131016	3	Washer, Flat .656x1.312x.095				