

GRAVELLY®

R

**ILLUSTRATED
PARTS LIST
5000 Series
TRACTORS**

Form No. 34142 (8-81)
Printed in U.S.A.

TO CONTINUE ITS PROGRAM OF QUALITY AND DESIGN IMPROVEMENTS, THE MANUFACTURER RESERVES THE RIGHT TO CHANGE SPECIFICATIONS, DESIGNS AND PRICES WITHOUT NOTICE AND WITHOUT INCURRING OBLIGATION. THE MANUFACTURER ALSO RESERVES THE RIGHT TO SHIP WITHOUT NOTICE AND WITHOUT INCURRING OBLIGATION.



One Gravelly Lane, Clemmons, NC 27012

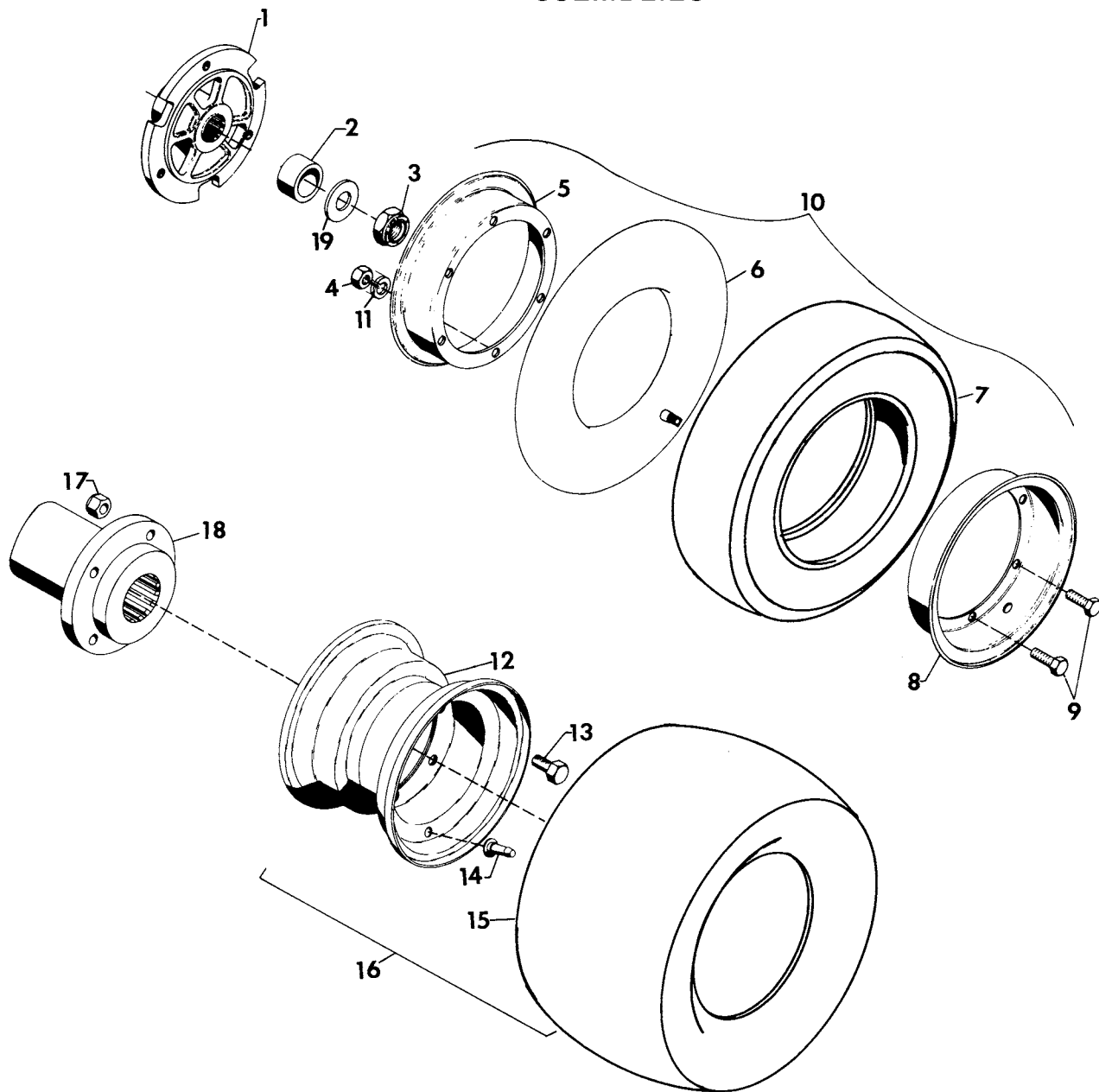
ILLUSTRATED PARTS LIST 5000 Series TRACTORS

Form No. 34142 (8-81)
Printed in U.S.A.

TABLE OF CONTENTS

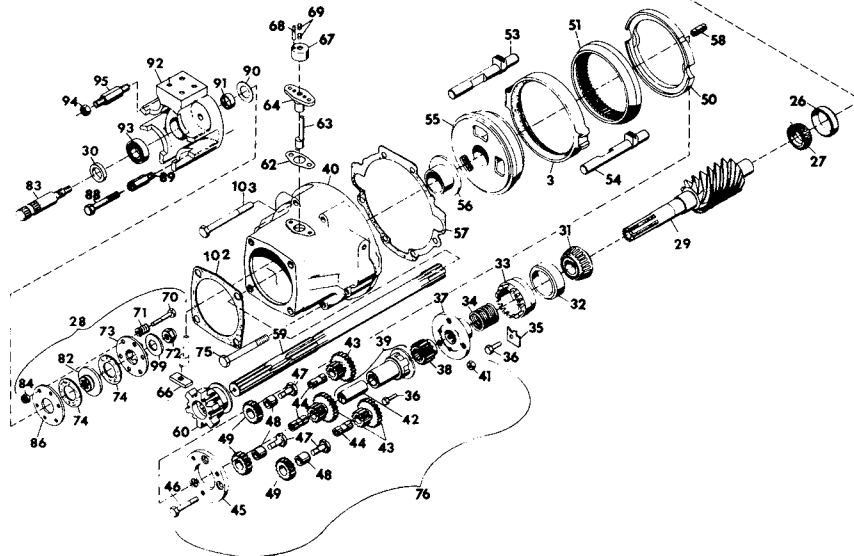
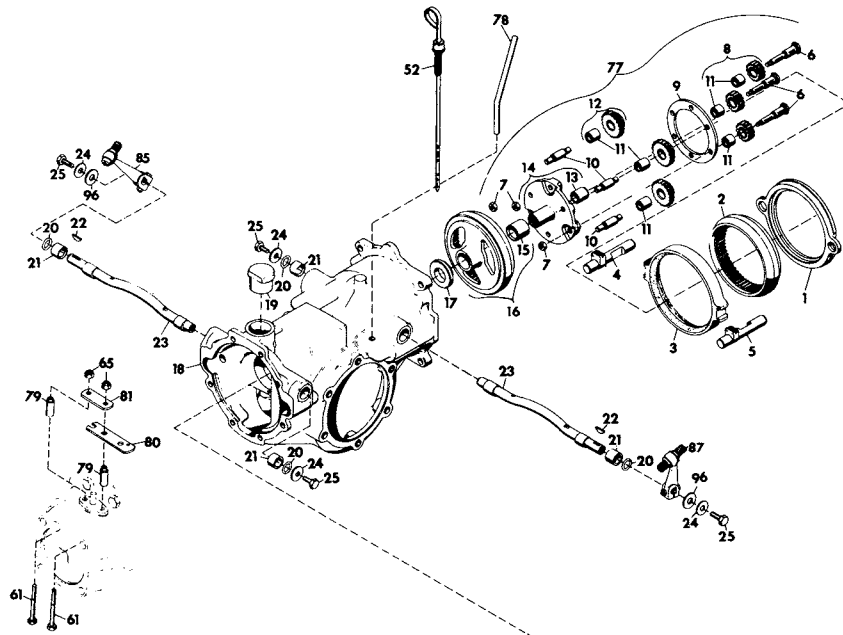
	Page
Wheel Assemblies	1
Transmission	2
Standard Differential, Model 5200	4
Swiftamatic Differential, Models 5240, 5260, 5645, 5665	6
Frame, Models 5200 and 5240	8
Frame, Models 5260, 5645, and 5665	10
Controls	12
Engine and Exhaust System	14
Electric System	15
Wiring Diagram	16

WHEEL ASSEMBLIES



<u>Item No.</u>	<u>Part No.</u>	<u>Qty.</u>	<u>Description</u>
1	22507	1	Hub, Wheel
2	22512	2	Spacer
3	22502	1	Nut, 3/4-10 Light Thin Hex
4	124829	3	Nut, Jam; 3/8-16 Hex
5	12674	1	Disc, Inner, Wheel
6	11645	1	Tube
7	13836	1	Tire, Tractor; Diamond Tread 4.80 x 4.00-8
	13835	1	Tire, Tractor; Ground Grip 4.00-8
	18762	1	Tire, Semi-Pneumatic; 16 x 5W x 3
	19562	1	Tire, 18 x 6.50-8
8	12673	1	Disc, Wheel
9	428638	3	Bolt, Hex; 3/8-16 x 5/8
	180120	3	Bolt, Hex; 3/8-16 x .750
10	10141	1	Assembly, Super Grip Wheel 4.00-8
	10142	1	Assembly, Diamond Tread Wheel 4.80 x 4.00-8
	19563	1	Tire, Wheel Assembly; 18 x 6.50-8
	21221	1	Wheel, Semi-Pneumatic Assembly 16 x 5W x 3
11	120382	3	Washer, Lock; 3/8 SP
12	23267	1	Rim, 18 x 8.50-8
13	180175	4	Bolt, Hex; 1/2-13 x 1.25
14	11191	1	Assembly, Valve Stem
15	15222	1	Tire 18 x 8.50-8
16	23268	1	Assembly, Wheel; 18 x 8.50 x 8
17	435507	4	Nut, Lock; 1/2-13 Washer Insert
18	22551	1	Hub, for 18 x 8.50 x 8 Wheel Asm.
19	131017	1	Washer, Flat; .812 x 1.469 x .134

TRANSMISSION

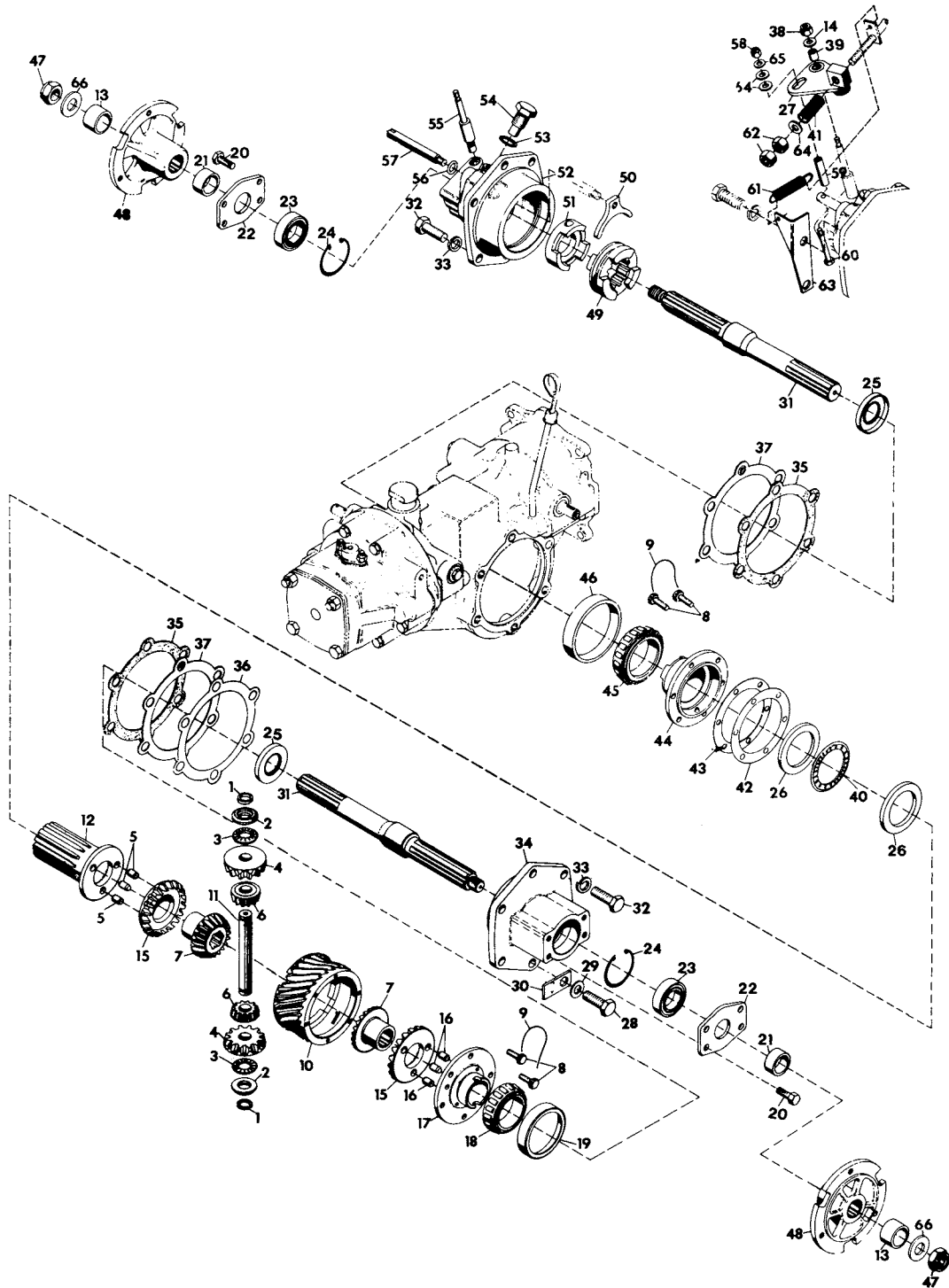


Item No.	Part No.	Qty.	Description
1	11183	1	Spacer, Rear
2	11182	1	Gear, Rear Ring
3	12644	2	Assembly, Clutch Cup
4	11184	1	Rod, Rear L.H. Clutch Slide
5	11185	1	Rod, Rear R.H. Clutch Slide
6	11181	3	Bolt, Orbit Gear
7	11342	3	Nut, Lock; 5/16-18 L.H. Thread
8	11179	3	Assembly, External Orbit Gear
9	11178	1	Spacer, Pin
10	11174	3	Pin, Hi-Lo Orbit Gear
11	11177	6	Bushing, .501 x .627 x .495
12	11175	3	Assembly, Internal Orbit Gear
13	11172	1	Bushing, .737 x .877 x .682
14	11171	1	Assembly, Planet Gear Carrier
15	11169	1	Bushing, 1.231 x 1.502 x 1.312
16	11168	1	Assembly, Ring Gear and Bushing
17	12645	1	Plate, Rear Thrust
18	10628	1	Chasis
19	10617	1	Plug, Oil Filter
20	10663	4	O-Ring, .750 x 1.00
21	10618	4	Bushing, .750 x 1.002 x .625
22	124545	2	Key, Woodruff; 125 x .625 Hard
23	10625	2	Shaft, Actuating
24	12694	4	Washer, Flat; 265 1.250 x .063

<u>Item No.</u>	<u>Part No.</u>	<u>Qty.</u>	<u>Description</u>
25	180016	4	Bolt, Hex: 1/4-20 x .50
26	10390	1	Cup, Roller Bearing
27	10389	1	Cone, Roller Bearing
28	22484	1	Assembly, Clutch Attachment
29	21242	1	Weldment, 6-Lead Worm
	21241	1	Weldment, 4-Lead Worm
	21243	1	Weldment, 8-Lead Worm
30	11841	1	Ring, Steel Retaining, .978 x 1.500 x .300
31	12332	1	Cone, Roller Bearing
32	12333	1	Cup, Roller Bearing
33	12635	1	Nut, Bearing Adjustment
34	12663	1	Spacer, Spring Pin Plate
35	12648	1	Nut, Adjusting
36	180018	1	Bolt, Hex: 1/4-20 x .625
37	12633	1	Plate, Front Pin
38	12637	1	Gear, Sun Pinion Spur
39	14923	1	Assembly, Quill and Bushing
40	12587	1	Casting, Advance
41	120375	3	Nut, Hex: 1/4-20
42	12662	1	Bushing, .875 x 1.000 x 2
43	12639	3	Gear, Orbit Spur
44	12640	3	Pin, Fwd-Rev Orbit Gear Steel
45	12655	1	Spacer, Front Pin
46	12643	3	Bolt, Spacer (Right Hand)
47	12658	3	Bolt, Reverse Idler
48	12657	3	Bushing, Reverse Idler, .375 x .685 x .516
49	12656	3	Gear, Reverse Idler Spur
50	12636	1	Cup, Gear
51	12632	1	Gear, Internal Spur
52	10622	1	Assembly, Dipstick
53	12677	1	Rod, L.H. Clutch Slide
54	12678	1	Rod, R.H. Clutch Slide
55	12654	1	Cone, Reverse Gear
56	14921	1	Assembly, Thrust Bushing
57	12591	1	Gasket, Chassis Front
58	13456	1	Pin, Roll
59	11298	1	Shaft, Pinion
60	12660	1	Dog, Attachment
61	180089	2	Bolt, Hex: 5/16-18 x 2-1/4
62	18318	1	Gasket, Shipper Shaft
63	10686	1	Shaft, Shipper
64	23034	1	Guide, Shipper Shaft
65	419455	2	Nut, Lock: 5/16-18 Washer Insert Hex
66	12601	1	Block, Trunnion
67	10688	1	Body, Shipper Shaft
68	12320	1	Dowel, Shifter Body
69	102591	2	Screw, Set, 3/8-16 x 1/4 Hex Socket
70	181618	6	Bolt, Hex: 5/16-24 x 1-3/4
71	12871	6	Spring
72	19918	1	Nut, Lock 5/8-24
73	12867	1	Plate, Dog
74	12870	2	Washer, Friction
75	187147	2	Bolt, Hex 5/16-18 x 3.50
76	14922	1	Assembly, Fwd-Rev Planetary
77	14615	1	Assembly, Hi-Lo Planetary
78	10586	1	Guide, Dipstick
79	12123	2	Spacer, Shipper Shaft Guide
80	12122	1	Arm, Shifter
81	20822	1	Spacer, Strap
82	22480	1	Plate, Drive
83	22482	1	Shaft, Quick Hitch
84	125339	6	Nut, Jam: 5/16-24
85	21384	1	Assembly, Fwd-Rev Lever
86	12868	1	Plate, Back
87	21383	1	Assembly, Hi-Lo Lever
88	180173	2	Bolt, Hex: 1/2-13 x 1
89	22479	2	Stud, Quick Hitch
90	11983	1	Bearing, Thrust: 1.012 x 1.750 x .125
91	11227	1	Bearing, Needle: 1.000 x 1.250 x 2.000
92	22483	1	Adapter, Quick Hitch
93	11293	1	Bearing, Ball: 1.000 x 2.000 x .562
94	120378	2	Nut, Hex: 1/2-13
95	24824	2	Stud, Quick Hitch
96	131017	2	Washer, Flat: .812 x 1.469 x .134
97	5056	1	Gasket
98	180735	4	Bolt, Hex: 1/2-13 x 1

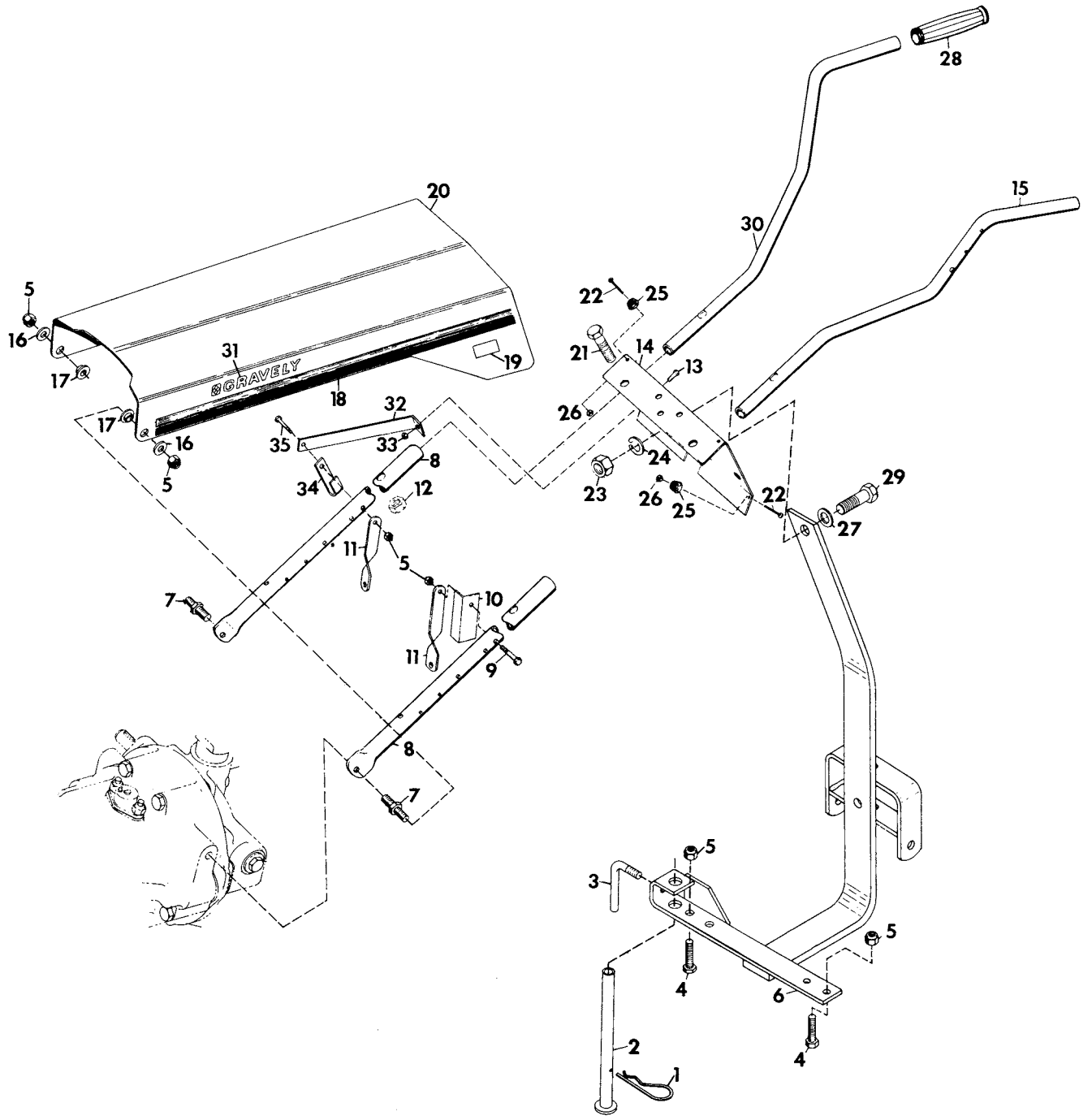
<u>Item No.</u>	<u>Part No.</u>	<u>Qty.</u>	<u>Description</u>
1	22505	2	Block, Drive
2	6708	2	Gear, Spider Bevel
3	12556	1	Pin, Spider Pinion
4	13497	1	Gear, 4-Lead Worm
	13498	1	Gear, 6 Start Worm
5	271089	1	Key, Woodruff; .125 x .375 Hard
6	22506	1	Seal, Oil; 1.188 x 2.000 x .250
7	6709	2	Gear, Differential Bevel
8	22504	2	Housing, Differential
9	12131	2	Cone, Roller Bearing
10	12130	2	Cup, Roller Bearing
11	120368	4	Nut, Hex; 5/16-24
12	138538	4	Washer, Lock; 5/16 Int. Tooth
13	181623	4	Bolt, Hex; 5/16-24 x 2-3/4
14	22502	2	Nut, 3/4-10 Light Thin Hex
15	22507	2	Hub, Wheel
16	180120	8	Bolt, Hex; 3/8-16 x .750
17	22512	2	Spacer
18	22501	2	Spacer
19	22503	2	Plate, End
20	32050	2	Bearing, Ball; 1.000 x 2.000 x .562
21	22497	2	Ring, Retaining; 2.000 Bore
22	12596	2	Shim, Axle Housing; .020
23	12595	2	Shim, Axle Housing; .005
24	22493	2	Axle, Straight
25	180173	11	Bolt, Hex; 1/2-13 x 1
26	13624	1	Bolt, Hex; 1/2-13 x 1 Nylon Insert
27	120396	1	Washer, Flat; .500 x 1.062 x .095
28	12594	1	Washer, Oil Drain
29	120384	10	Washer, Lock; 1/2 SP
30	22495	2	Housing, Axle
31	12597	2	Gasket, Axle Housing
32	131017	2	Washer, Flat; .812 x 1.469 x .134

SWIFTAMATIC DIFFERENTIAL MODELS 5240, 5260, 5645 AND 5665



<u>Item No.</u>	<u>Part No.</u>	<u>Qty.</u>	<u>Description</u>
1	15733	2	Ring, Retaining; .750 Shaft
2	15734	2	Spacer, .765 x 1.245 x .200
3	6741	2	Bearing, Needle Thrust; .752 x 1.240 x .078
4	6702	2	Gear, Differential Shifting Bevel
5	141234	3	Pin, Dowel; .375 x .375
6	6708	2	Gear, Spider Bevel
7	6709	2	Gear, Differential Bevel
8	18604	12	Bolt, Special; 5/16-18
9	18605	2	Wire, Bolt
10	15729	1	Gear, Worm 8 Start
11	22499	1	Pin, Spider
12	22498	1	Shifter, Splined Pinned
13	22512	2	Spacer
14	120393	1	Washer, Flat; .344 x .688 x .065
15	6703	2	Gear, Pinned Bevel
16	6714	3	Pin, Dowel; .375 x .500
17	12126	1	Housing, Pinned
18	12131	1	Cone, Roller Bearing
19	12130	1	Cup, Roller Bearing
20	180120	8	Bolt, Hex; 3/8-16 x .750
21	22501	2	Spacer
22	22503	2	Plate, End
23	11293	2	Bearing, Ball; 1.000 x 2.000 x .562
24	22497	2	Ring, Retaining; 2.000 Bore
25	22506	2	Seal, Oil; 1.188 x 2.000 x .250
26	22500	2	Race, Thrust; 2.002 x 2.740 x .031
27	6723	1	Arm, Shifter
28	13624	1	Bolt, Hex; 1/2-13 x 1 Nylon Insert
29	120396	1	Washer, Flat; .500 x 1.062 x .095
30	12594	1	Washer, Oil Drain
31	22493	2	Axle, Straight
32	180173	11	Bolt, Hex; 1/2-13 x 1
33	120384	11	Washer, Lock; 1/2 SP
34	22495	1	Housing, Axle
35	12597	2	Gasket, Axle Housing
36	12595	2	Shim, Axle Housing; .005
37	12596	2	Shim, Axle Housing; .020
38	419455	1	Nut, Lock; 5/16-18 Washer Insert Hex
39	6724	1	Bushing, Nylon; .375 x .503 x .875
40	6743	1	Race, Bearing Thrust; .060
41	10682	1	Spring, Compression; 2 x .720
42	6739	1	Shim, Clutch Worm Gear; .005
43	6740	1	Shim Clutch Worm Gear; .020
44	22496	1	Housing, Clutch
45	12501	1	Cone, Roller Bearing
46	12500	1	Cup, Roller Bearing
47	22502	2	Nut, 3/4-10 Light Thin Hex
48	22507	2	Hub, Wheel
49	11632	1	Clutch, Shifting
50	6719	1	Yoke, Shifting
51	11156	1	Clutch, Stationary
52	22494	1	Housing, Axle; 2-Speed
53	12707	1	Washer, Oil Strainer Nut
54	6734	1	Bolt, Stationary Clutch
55	10505	1	Pivot, Stationary
56	6732	1	O-Ring; .438 x .625 x .094
57	6721	1	Pin, Clutch Sliding
58	419454	1	Nut, Lock; 1/4-20 Washer Insert
59	24382	1	Bushing
60	24383	1	Bolt
61	10681	1	Spring, Extension; 2.50 x .62
62	124925	2	Nut, Jam; 3/8-24 Hex
63	10680	1	Bracket, 2-Speed Spring
64	120394	2	Washer, Flat; .406 x .812 x .065
65	120392	1	Washer, Flat; .281 x .625 x .065
66	131017	2	Washer, Flat; .812 x 1.469 x .134

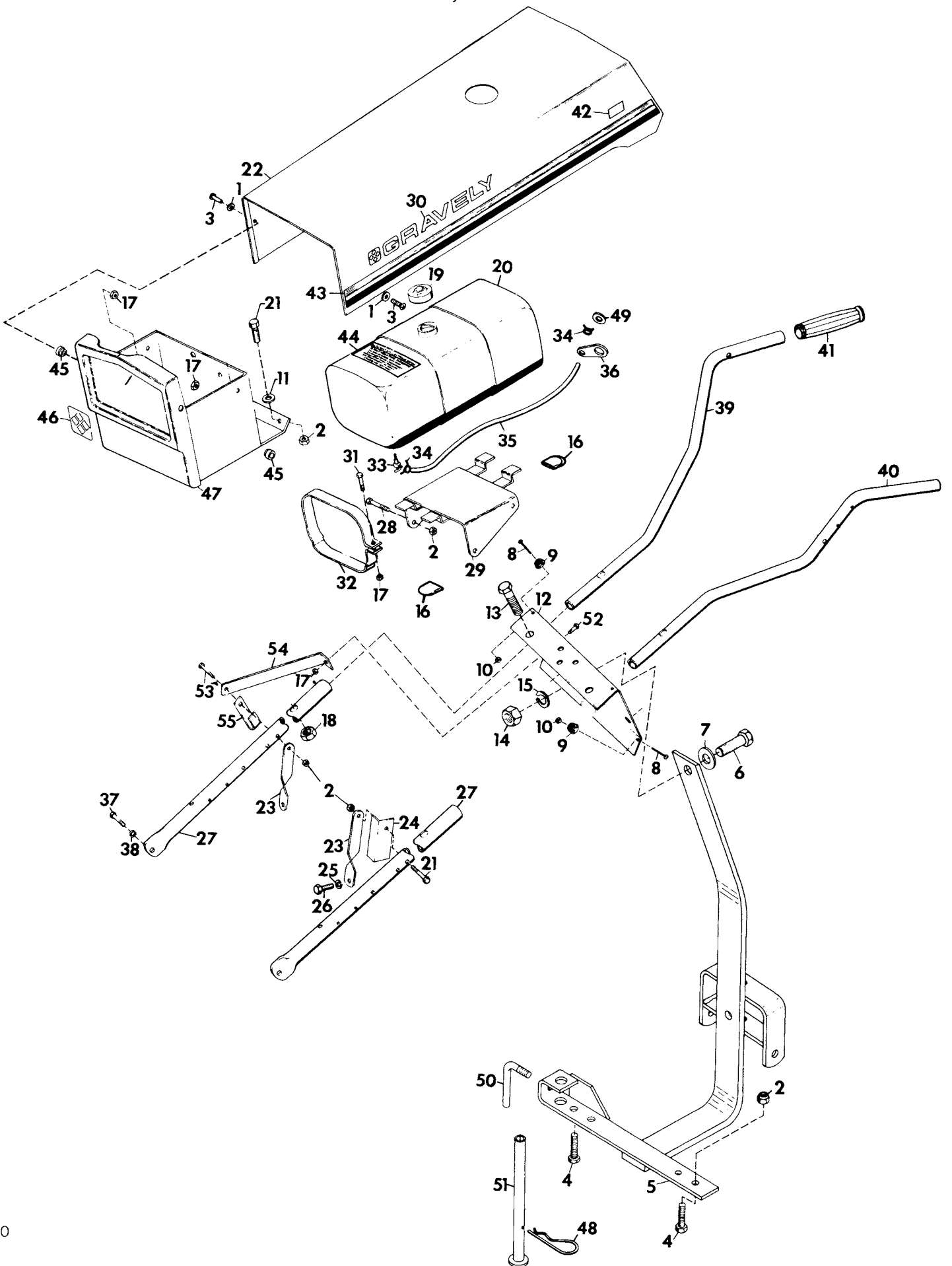
FRAME MODELS 5200 AND 5240



<u>Item No.</u>	<u>Part No.</u>	<u>Qty.</u>	<u>Description</u>
1	10405	1	Cotter, Hair Pin
2	34062	1	Kick Stand
3	13457	1	Handle, Adjusting
4	180126	2	Bolt, Hex; 3/8-16 x 1.50
5	456004	6	Nut, Lock; 3/8-16 Washer Insert
6	24844	1	Hitch, Weldment; 8 H.P.
	24843	1	Hitch, Weldment; 12 H.P.
7	21028	2	Stud, Hood
8	10643	2	Support, Tube
9	180132	1	Bolt, Hex; 3/8-16 x 2-1/4
10	10933	1	Stop, Rod
11	10655	2	Brace, Handle
12	120371	2	Nut, Hex; 1/2-20
13	180018	1	Bolt, Hex; 1/4-20 x .625
14	24751	1	Panel, Instrument Manual Start
15	11982	1	Bar, Right Handle
16	120394	2	Washer, Flat; .406 x .812 x .065
17	24815	2	Bushing
18	32184	1	Stripe, Side
19	24579	2	Decal, Model 5200
	24580	2	Decal, Model 5240
20	21027	1	Hood
21	181705	2	Bolt, Hex; 1/2-20 x 2
22	159341	4	Screw, Mach; 6-32 x 5/8 HD C-Recess
23	124589	1	Nut, Hex; 5/8-11
24	121574	1	Washer, Lock; 5/8 SP
25	18183	4	Bumper
26	427254	4	Nut, Mach Lock; 6-32 Washer Insert
27	421879	1	Washer, Flat; .656 x 1.250 x .100
28	10671	2	Grip, Hand
29	271547	1	Bolt, Hex; 5/8-11 x 1-1/2
30	10658	1	Bar, Left Handle
31	24588	2	Decal, Gravely Logo
32	10996	1	Brace, Instrument Panel
33	419454	1	Nut, Lock; 1/4-20 Washer Insert
34	10684	1	Retainer, 2-Speed Control
35	180134	1	Bolt, Hex; 3/8-16 x 2-1/2

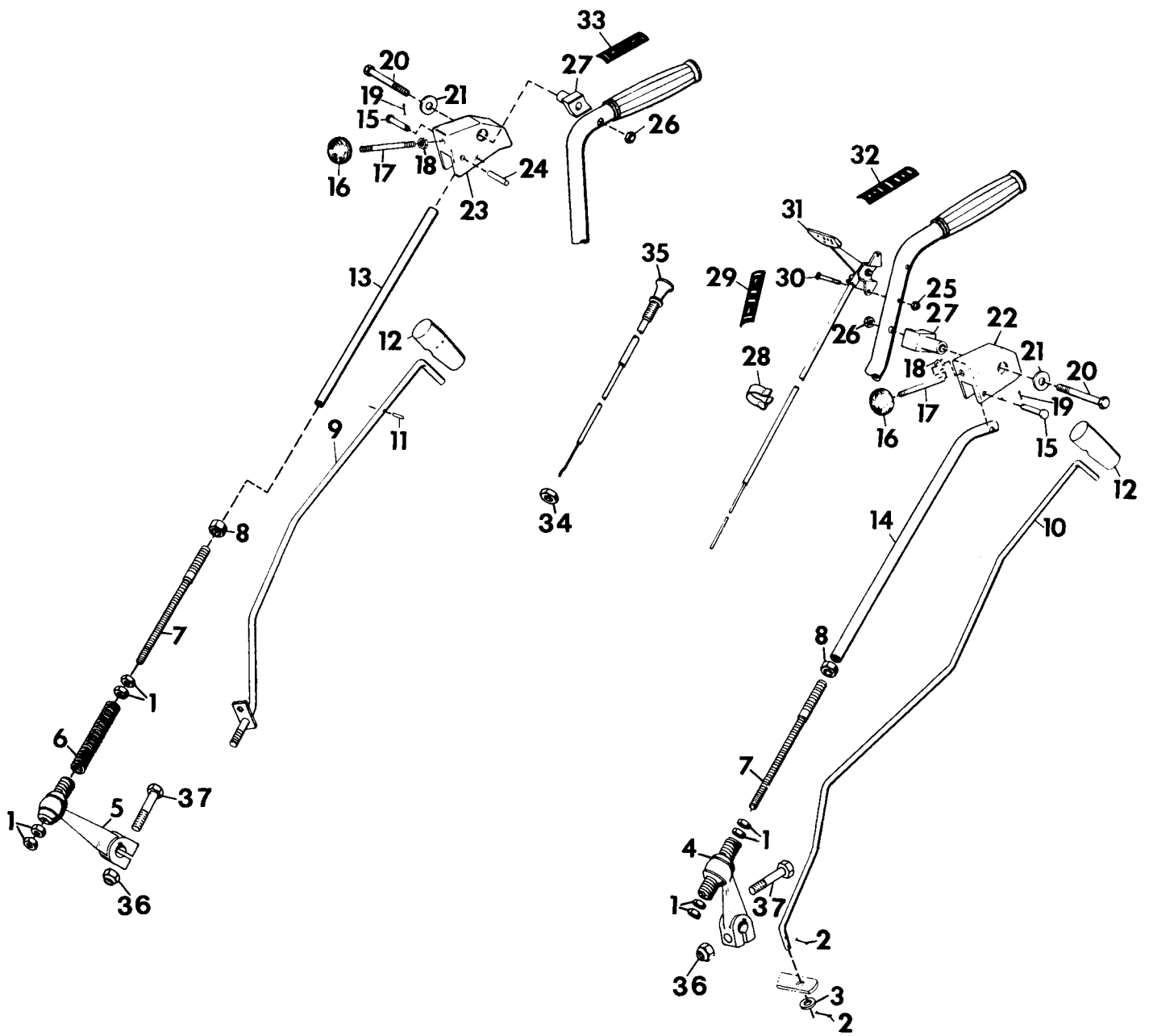
NOTE: Item Numbers 13, 32, 33, and 34 Pertains to Tractor Model 5240.

FRAME MODELS 5260, 5645 AND 5665



<u>Item No.</u>	<u>Part No.</u>	<u>Qty.</u>	<u>Description</u>
1	120392	2	Washer, Flat; .281 x .625 x .065
2	456004	6	Nut, Lock; 3/8-16 Washer Insert Hex
3	160556	2	Screw, Mach; 1/4-20 x 1 Pan HD
4	180126	2	Bolt, Hex; 3/8-16 x 1-1/2
5	24844	1	Hitch, Weldment; 8 H.P.
	24843	1	Hitch, Weldment; 12 H.P.
6	271547	1	Bolt, Hex; 5/8-11 x 1-1/2
7	421879	1	Washer, Flat; .656 x 1.250 x .100
8	159341	4	Screw, Mach; 6-32 x 5/8 Pan HD C-Recess
9	18183	4	Bumper
10	427254	4	Nut, Mach Lock; 6-32 Washer Insert
11	120394	2	Washer, Flat; .406 x .812 x .065
12	24744	1	Instrument Panel Electric Start
	24751	1	Instrument Panel Manual Start
13	181705	2	Bolt, Hex; 1/2-20 x 2
14	124589	1	Nut, Hex; 5/8-11
15	121574	1	Washer, Lock; 5/8 SP
16	31620	4	Cover 1.0 x .125 x 1.0
17	419454	3	Nut, Lock; 1/4-20 Washer Insert
18	120371	2	Nut, Hex; 1/2-20
19	10756	1	Cap, Gas Tank
20	10636	1	Assembly, Fuel Tank
21	180132	1	Bolt, Hex; 3/8-16 x 2-1/4
22	10650	1	Hood
23	10655	2	Brace, Handle
24	10933	1	Stop, Rod
25	131100	2	Washer, Lock; 7/16 SP Heavy
26	180149	2	Bolt, Hex; 7/16 x 1-1/2
27	10643	2	Support, Tube
28	180129	2	Bolt, Hex; 3/8-16 x 1-7/8
29	10637	1	Weldment, Fuel Tank Bracket
30	24588	2	Decal, Gravely Logo
31	180024	2	Bolt, Hex; 1/4-20 x 1-1/4
32	10640	2	Strap, Fuel Tank
33	7354	1	Valve and Strainer
34	7216	2	Clamp, Fuel Hose
35	21134	2 ft.	Line, Fuel .50 OD x .25 ID x Bulk Length
36	21489	1	Bracket, Fuel Line
37	180122	2	Bolt, Hex; 3/8-16 x 1
38	120382	2	Washer, Lock; 3/8 SP
39	11982	1	Bar, Right Handle
40	10658	1	Bar, Left Handle
41	10671	2	Grip, Hand
42	34141	2	Decal, Model 5665
	24583	2	Decal, Model 5260
	34140	2	Decal, Model 5645
43	31831	1	Decal, Side Stripes
44	11989	1	Decal, Electrical System Warning
45	12117	2	Pivot, Hood
46	10697	1	Decal
47	10644	1	Weldment, Grille
48	10405	1	Cotter, Hair Pin
49	120395	1	Washer, Flat; .469 x .938 x .065
50	13457	1	Handle, Adjusting
51	34062	1	Kick Stand
52	180018	1	Bolt, Hex; 1/4-20 x .625
53	180134	1	Bolt, Hex; 3/8-16 x 2-1/2
54	10996	1	Brace, Instrument Panel
55	10684	1	Retainer, 2-Speed Control

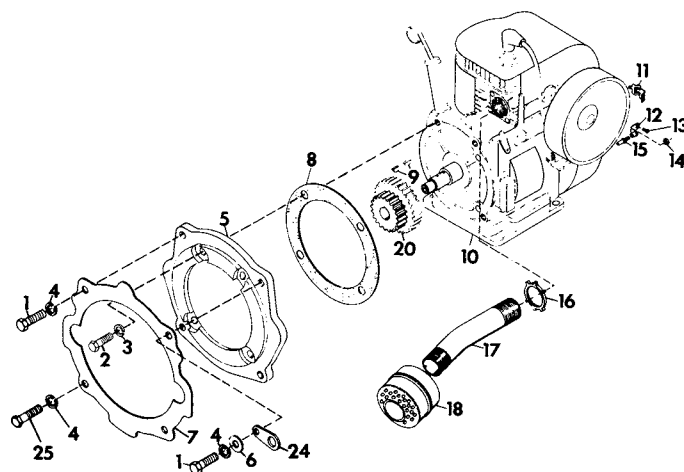
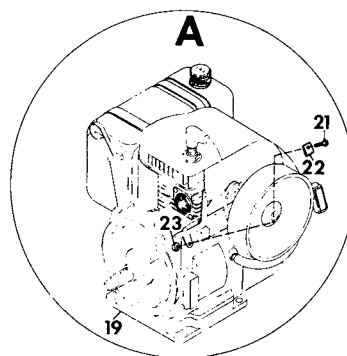
CONTROLS



<u>Item No.</u>	<u>Part No.</u>	<u>Qty.</u>	<u>Description</u>
1	124829	8	Jam; 3/8-16 Hex
2	121224	2	Pin, Cotter; .094 x 1.000
3	120394	1	Washer, Flat; .406 x .812 x .065
4	21383	1	Assembly, Hi-Lo Lever
5	21384	1	Assembly, Fwd-Rev Lever
6	21506	1	Spring, Fwd-Rev Neutral Return
7	20269	2	Rod, Control Extension
8	120238	2	Nut, Jam; 1/2-13
9	10677	1	Rod, 2-Speed Control
10	10932	1	Rod, Attachment
11	423664	1	Pin, Spring; .094 x .688
12	10683	2	Handle; Rubber Shifter
13	20267	1	Rod, Fwd-Rev Control
14	20268	1	Rod, Hi-Lo Control
15	10672	2	Pin, Clevis; .375 x 1.250
16	10670	2	Knob, Control
17	10669	2	Rod, Shifter
18	272123	2	Nut, Jam; 7/16-20 Hex
19	177923	2	Pin, Cotter; .125 x .750
20	180192	2	Bolt, Hex; 1/2-13 x 3-1/2
21	120396	2	Washer, Flat; .500 x 1.062 x .095
22	10666	1	Support, Hi-Lo Shifter Rod
23	11985	1	Support, Forward-Reverse Shifter Rod
24	453670	1	Pin, Spring; 1/4 x 1-1/8
25	190254	2	Nut, Lock; 10-24 Washer Insert
26	20541	2	Nut
27	10667	2	Pivot, Handle Lever
28	8260	1	Clip, Conduit
29	21091	1	Decal, Gear Shift
30	436738	2	Screw, Mach; 10-24 x 1-1/2 Pan HD
31	21103	1	Lever, Throttle Control; 8 H.P.
	21196	1	Lever, Throttle Control; 12 H.P.
32	21092	1	Decal, Throttle
33	21090	1	Decal, Fwd-Rev
34	124925	1	Nut, Jam; 3/8-24 Hex
35	10696	1	Control, Choke
36	419455	2	Nut, Lock 5/16-18 Hex HD Washer Insert
37	180087	2	Bolt, Hex 5/16-18 x 2.00

NOTE: Item Numbers 9 and 11 Pertains to Tractor Models
5240, 5645, 5260 and 5665.

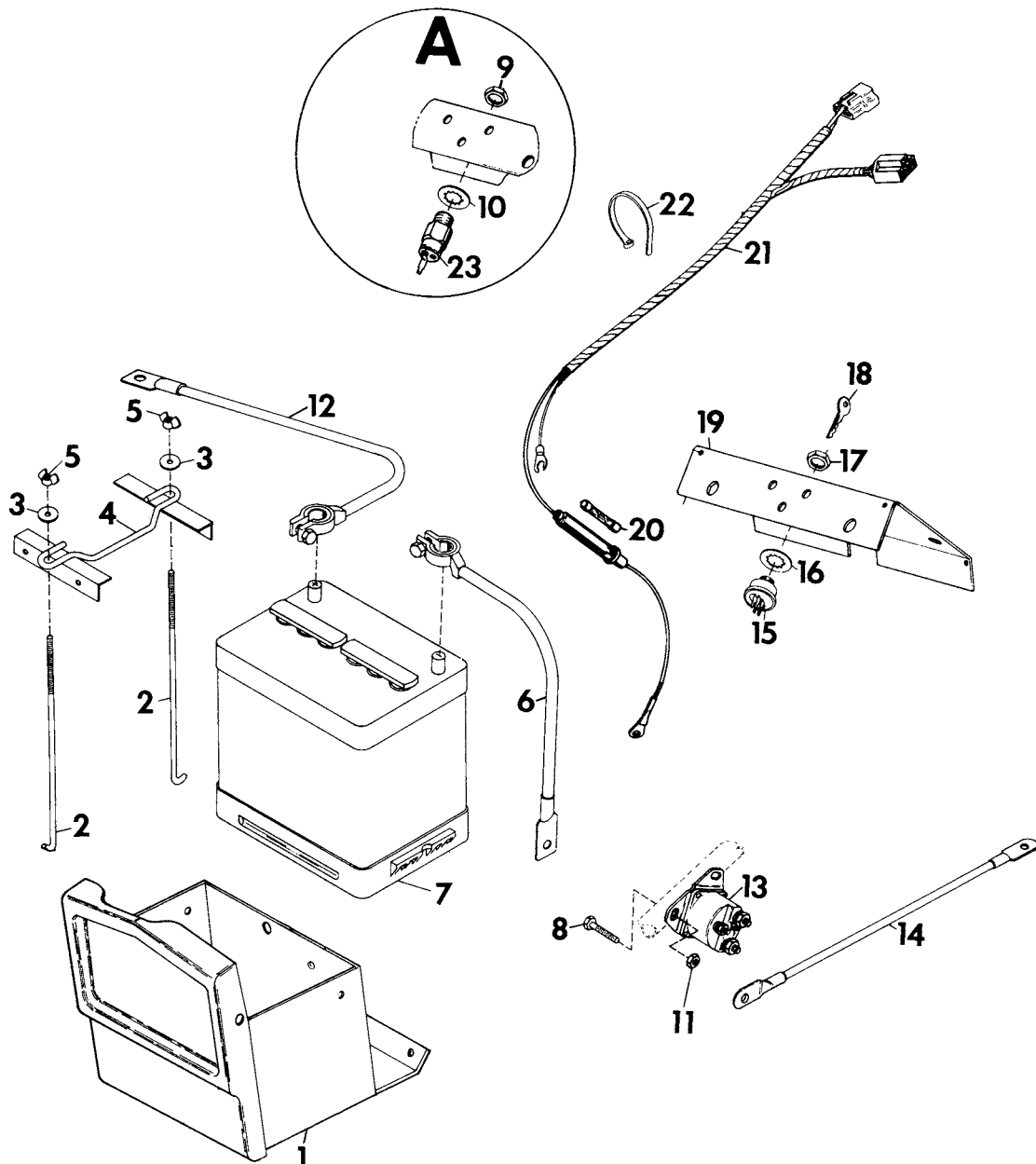
ENGINE AND EXHAUST SYSTEM



Item No.	Part No.	Qty.	Description
1	180149	2	Bolt, Hex; 7/16-14 x 1-1/2
2	180121	4	Bolt, Hex; 3/8-16 x 7/8, 8 H.P.
	180122	4	Bolt, Hex; 3/8-16 x 1, 12 H.P.
3	131099	4	Washer, Lock; 3/8 SP Heavy
4	131100	4	Washer, Lock; 7/16 SP Heavy
5	14938	1	Adapter, Engine; 8 H.P.
	10731	1	Adapter, Engine; 12 H.P.
6	120395	1	Washer, Flat; .469 x .938 x .065
7	10635	1	Gasket, Chassis to Adapter
8	10732	1	Gasket, Engine to Adapter, 12 H.P.
	15718	1	Gasket, Engine to Adapter, 8 H.P.
9	124546	2	Key, Woodruff; 5/32 x 5/8 Hard
10	34136	1	Engine, 12 H.P. 2-Wheel Electric
	34137	1	Engine, 12 H.P. 2-Wheel Manual
11	7331	1	Clip, Speed
12	18522	1	Bracket
13	160515	1	Screw, Mach; 1/4-20 x 1/2 Pan HD
14	120375	1	Nut, Hex; 1/4-20
15	18521	1	Adapter, Conduit
16	10866	1	Nut, Conduit; 1 Pipe
17	10865	1	Tube, Muffler, 12 H.P.
18	8227	1	Muffler, 12 H.P.
19	21042	1	Engine, 8 H.P. 2-Wheel Manual Start
	24639	1	Engine, 8 H.P. 2-Wheel Electric Start
20	17838	1	Gear, 10/12 DP 21/30 Teeth
21	159920	1	Screw, Mach; 10-24 x 1/2 Pan HD
22	15453	1	Clip
23	190254	1	Nut, Lock; 10-24 Washer Insert
24	21489	1	Bracket, Fuel Line
25	180147	2	Bolt, Hex; 7/16-14 x 1-1/4

NOTE: Circle "A" Pertains to 8 H.P. Engines.

ELECTRIC SYSTEM



<u>Item No.</u>	<u>Part No.</u>	<u>Qty.</u>	<u>Description</u>
1	10644	1	Weldment, Grille
2	12894	2	Bolt, Hold-Down
3	446354	2	Washer, Flat: 5/16 x 7/8 x .065
4	10633	1	Clamp, Battery Hold-Down
5	10413	2	Nut, Wing: 1/4-20 Washer Insert
6	6980	1	Cable, Negative Battery
7	7274	1	Battery, 12V
8	180042	2	Boit, Hex: 1/4-20 x 1-3/4
9	18585	1	Nut, Jam: 5/8-32
10	18586	1	Washer, Lock: 5/8 Int. Tooth
11	120375	2	Nut, Hex: 1/4-20
12	21368	1	Cable, Positive Battery
13	7277	1	Switch, Magnetic
14	6981	1	Cable, Magnetic Switch to Starter
15	19223	1	Switch, Ignition
16	19667	1	Washer, Lock: 9/16 Int. Tooth
17	19666	1	Nut, Jam: 9/16-24
18	18570	1	Key, Ignition Switch
19	24744	1	Panel, Instrument
20	24858	1	Fuse, 30 AMP: 3 AG5
21	24759	1	Harness, Wiring; 5000 Series 3 AMP
22	10629	5	Tie, Cable
23	21104	1	Switch, Ignition

NOTE: Circle "A" Pertains to All Manual Start Tractors

WIRING DIAGRAM

