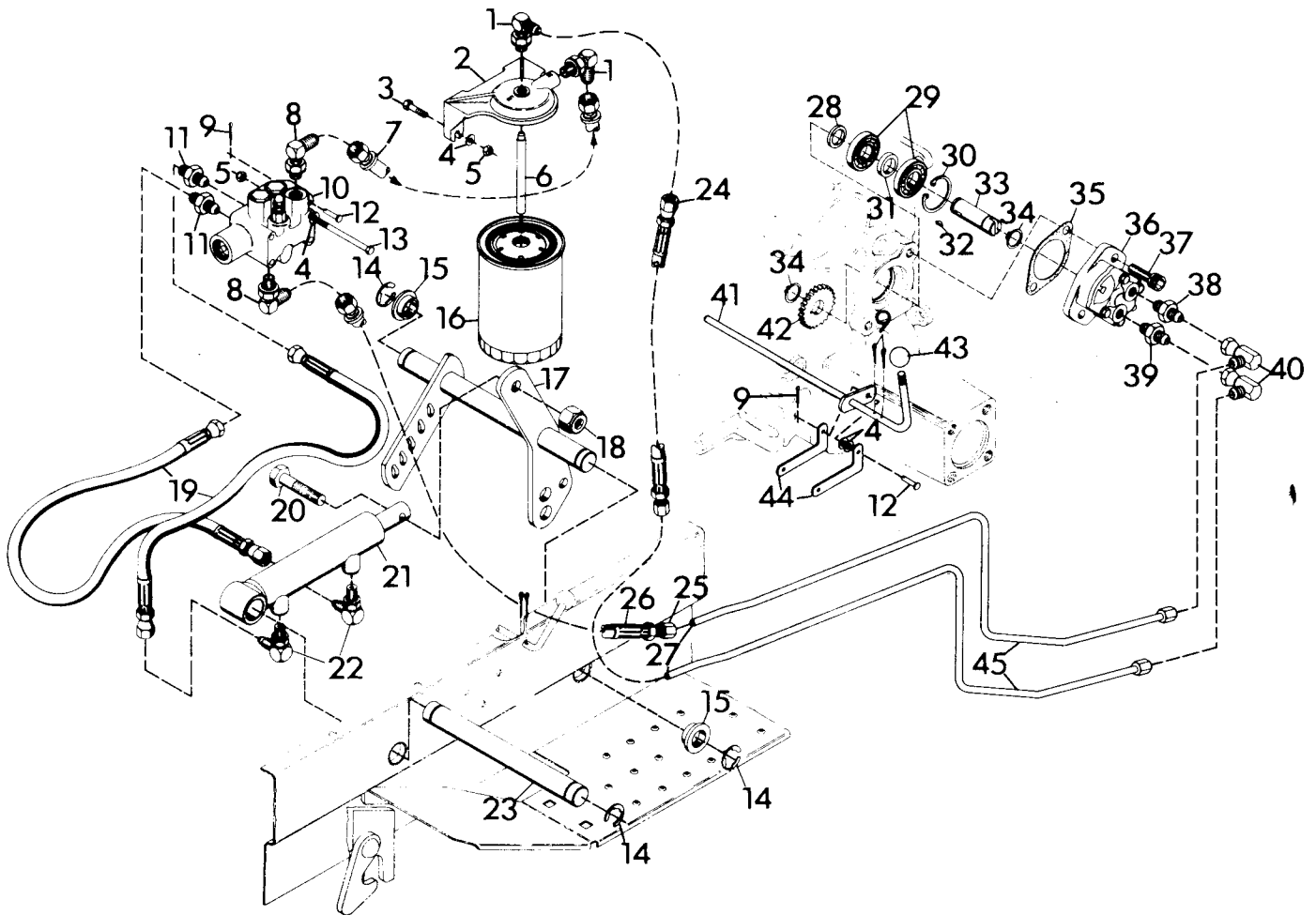




**8000-G SERIES TRACTOR
ADDENDUM TO THE
ILLUSTRATED PARTS LIST**

Refer to 8000-G Series Tractor Illustrated Parts List, Form No. 40159. On pages 18 and 19 Item No. 11, Part No. 39827 is replaced by Part No. 41240 - Instrument Panel Support. Also, the following illustration and parts list replaces pages 24 and 25.



ITEM NO.	PART NO.	QTY.	DESCRIPTION
1	40723	2	Adapter
2	40259	1	Bracket, Oil Filter
3	180022	2	Bolt, Hex 1/4-20x1.00
4	120392	8	Washer, Flat .281x.625x.065
5	419454	6	Nut, Lock 1/4-20
6	40260	1	Tube, Oil Pick-Up
7	39847	1	Hose, Hydraulic Valve to Tank
8	18828	2	Adaptor (P-H #2503-6-6)
9	121222	4	Pin, Cotter .094x.75
10	18825	1	Valve, Hydraulic
11	21286	2	Adaptor (P-H #0503-4-4)
12	40970	2	Pin, Clevis
13	180050	4	Bolt, Hex 1/4-20x2.75
14	11112	4	E-Ring, 1.000 Shaft
15	18355	2	Bushing, Pivot
16	40172	1	Filter, Spin-On
17	18822	1	Weldment, Lift Lever Shaft
18	414074	1	Nut, Lock 1/2-13
19	18845	2	Hose, Hydraulic 14.5
20	180181	1	Bolt, Hex 1/2-13x2.00
21	31284	1	Cylinder, Hydraulic
22	18826	2	Adaptor (P-H #2503-4-4)
23	18830	1	Shaft, Hydraulic Cylinder
24	39849	1	Hose, Hydraulic
25	40823	2	Nut, Female Flareless
26	39848	1	Hose, Hydraulic Pump to Valve
27	40824	2	Sleeve, Female Flareless
28	18807	1	Spacer, .620x.750x.276
29	12626	2	Bearing, Ball .590x1.378x.433
30	18799	1	Ring, Retaining 1.378 Bore
31	18798	1	Spacer, .620x.750x.364
32	271089	1	Key, Woodruff .125x.375 Hard
33	18797	1	Shaft, Hydraulic Pump
34	18809	2	Ring, Retaining .594 Shaft
35	18422	1	Gasket, Cover Plate
36	18813	1	Pump, Hydraulic
37	426370	2	Screw, Cap 3/8-16 Hex Socket HD
38	23206	1	Adaptor
39	18817	1	Adaptor (P-H #0503-10-6)
40	18818	2	Adaptor (P-H #3903-6-6)
41	41239	1	Weldment, Hydraulic Control Rod
42	18808	1	Gear, Hydraulic Pump
43	32659	1	Knob, PTO
44	41237	2	Rod, Hydraulic Control
45	39838	2	Line, Hydraulic In