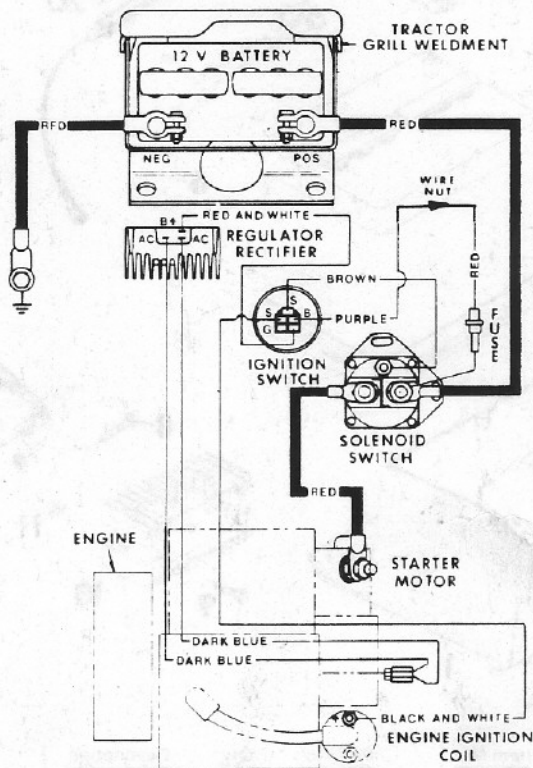


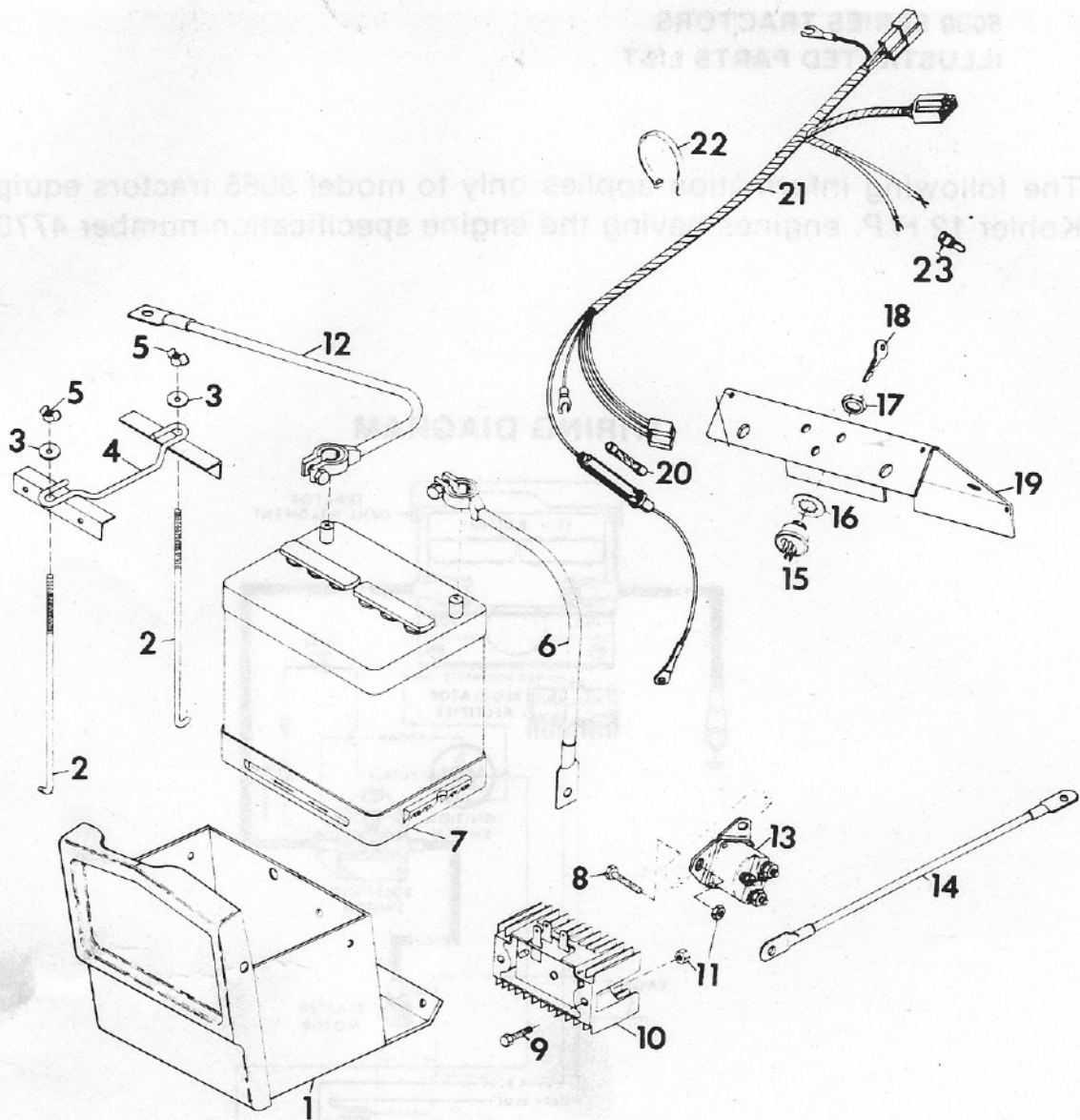
**NAME: ADDENDUM TO THE  
5000 SERIES TRACTORS  
ILLUSTRATED PARTS LIST**

The following information applies only to model 5665 tractors equipped with Kohler 12 H.P. engines having the engine specification number 47707d:

**WIRING DIAGRAM**



# ELECTRIC SYSTEM



Item No.	Part No.	Qty.	Description
1	10644	1	Weldment, Grille
2	12894	2	Bolt, Hold-Down
3	446354	2	Washer, Flat. 5/16 x 7/8 x .065
4	10633	1	Clamp, Battery Hold-Down
5	10413	2	Nut, Wing. 1/4-20 Washer Insert
6	6980	1	Cable, Negative Battery
7	7274	1	Battery, 12V
8	180042	2	Bolt, Hex. 1/4-20 x 1-3/4
9	180020	2	Bolt, Hex. 1/4-20 x 3.4
10	18009	1	Regulator, Rectifier
11	120375	2	Nut, Hex. 1/4-20
12	21368	1	Cable, Positive Battery
13	7277	1	Switch, Magnetic
14	6981	1	Cable, Magnetic Switch to Starter
15	19223	1	Switch, Ignition
16	19667	1	Washer, Lock. 9/16 Int. Tooth
17	19666	1	Nut, Jam. 9 16-24
18	18570	1	Key, Ignition Switch
19	24744	1	Panel, Instrument
20	14893	1	Fuse 30 AMP, Acc-30
21	24760	1	Harness, Wiring. 5000 Series 15 AMP
22	10629	5	Tie, Cable
23	11763	1	Nut Wire