

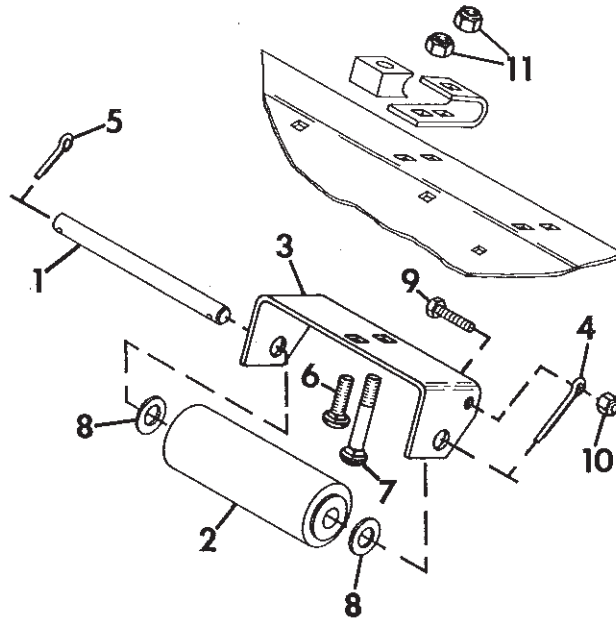


# ANTI SCALP ROLLER KIT

## Installation

1. Put the two carriage bolts in the roller bracket from the roller side.
2. Slide the roller shaft through the bracket, flat washer, roller, flat washer, and the bracket.
3. On the end of the bracket with a small hole, install the 2" long cotter pin in the roller shaft and secure it with a 1/4" bolt and nut.
4. Install the 1" long cotter pin in the other end of the roller shaft.
5. Remove the two bolts which retain the middle axle support bracket.
6. Put the roller assembly in place guiding the long bolt in the lower hole, the axle support bracket and the nylon stop. Secure the bolts with washer insert nuts.

### Illustrated Parts and Parts List



ITEM NO.	PART NO.	QTY.	DESCRIPTION
1	24795	1	Shaft, Center Roller
2	31390	1	Roller, Gauge
3	37929	1	Bracket, Rear Roller
4	103422	1	Pin, Cotter .25x2.00
5	179128	1	Pin, Cotter .25x1.00-
6	126402	1	Bolt, 3/8-16x1.25 Rd Hd Sq Nk
7	126422	1	Bolt, 3/8-16x2.25 Rd Hd Sq Nk
8	131016	2	Washer, Flat .656x1.312x.095
9	180020	1	Bolt, Hex 1/4-20x.75
10	419454	1	Nut, Lock 1/4-20
11	456004	2	Nut, Lock 3/8-16