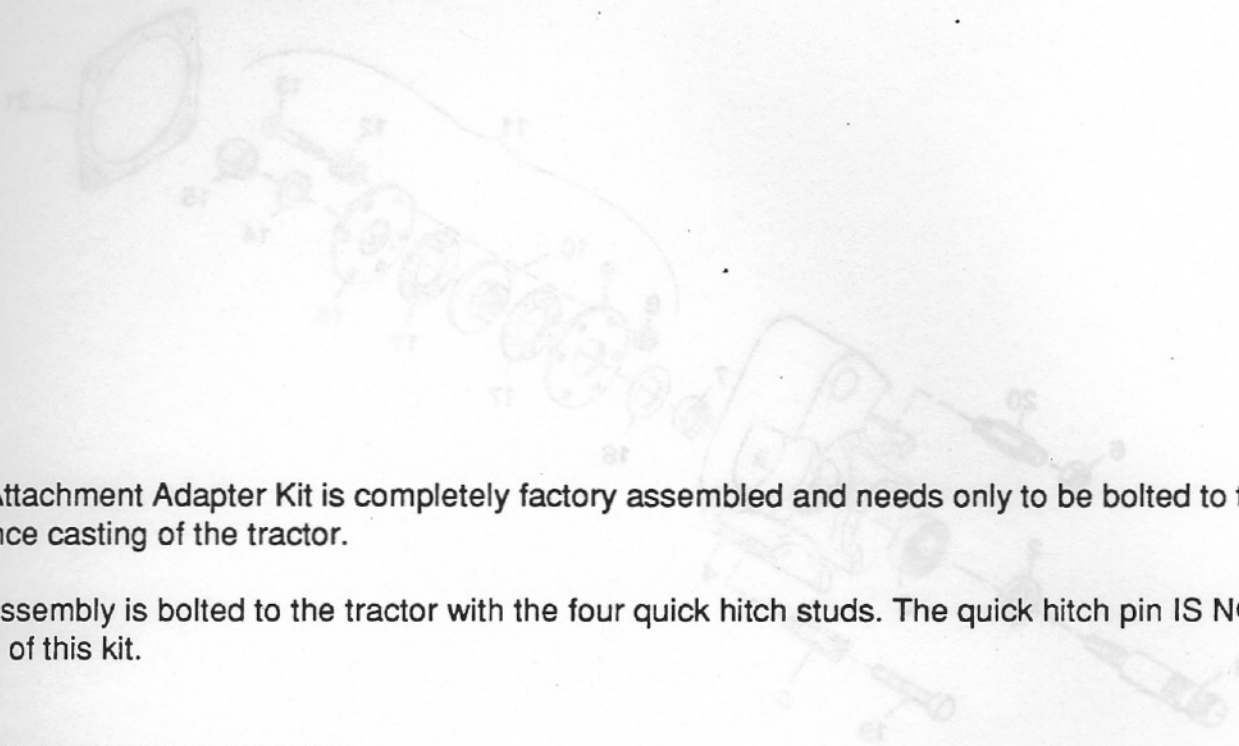


ATTACHMENT ADAPTER KIT



The Attachment Adapter Kit is completely factory assembled and needs only to be bolted to the advance casting of the tractor.

The assembly is bolted to the tractor with the four quick hitch studs. The quick hitch pin IS NOT a part of this kit.

SLIP CLUTCH ADJUSTMENT

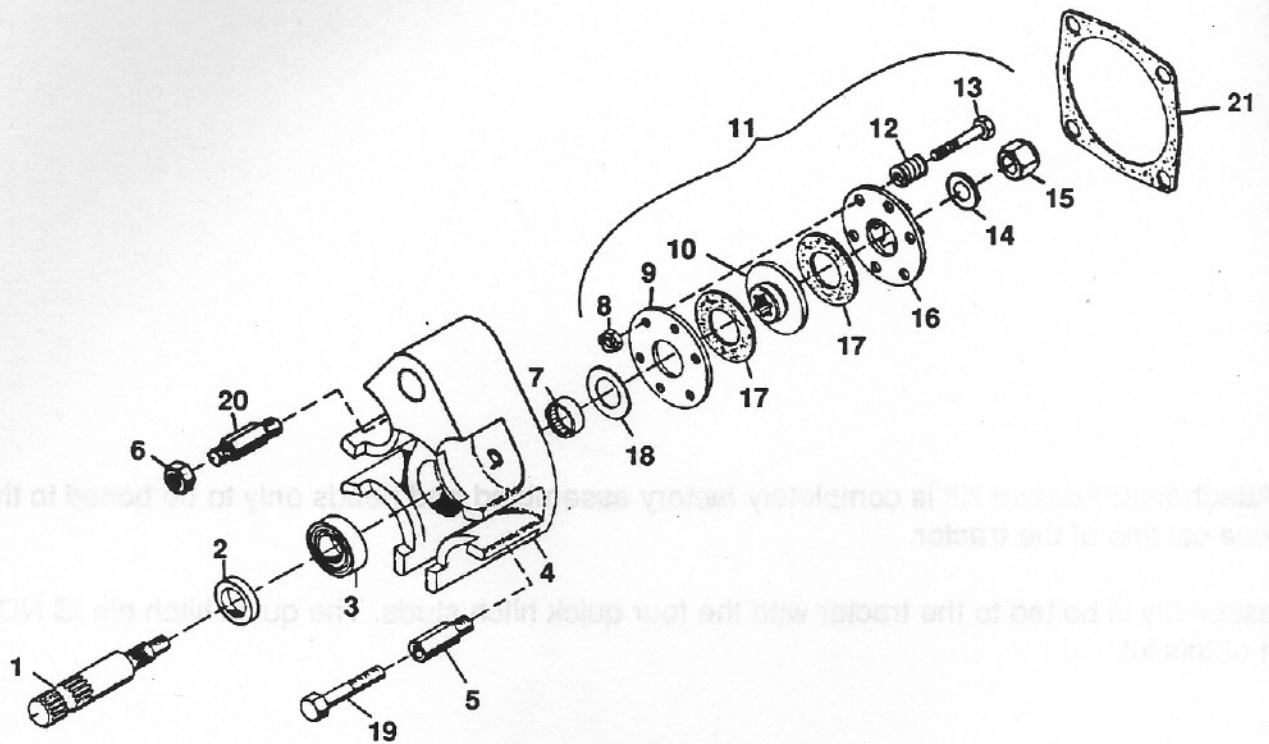
The slip clutch is designed to minimize damage when attachment strikes an immovable object and requires some maintenance.

To adjust the clutch, the Attachment Adapter assembly will first have to be removed from the tractor.

Remove any attachments from tractor and rest tractor on rear hitch to prevent loss of oil from transmission when assembly is removed. Remove the four quick hitch studs securing assembly to tractor and remove the assembly.

To adjust the clutch, loosen the six locknuts. Tighten the six bolts all the way in until the spring is collapsed. Back off each bolt 1/2 turn counter-clockwise. Lock the bolts in position with the locknuts.

DESCRIPTION	QTY	PART NO.	ITEM NO.
Shaft, Quick Hitch	1	22482	1
Ring, Retainer	1	12871	2
Sub, H-18-18	2	22478	3
Nut, Hex 1/2-18	2	12878	4
Plate, Back	1	12888	9
Plate, Drive	1	22469	10
Assembly, Clutch Attachment	1	22424	11
Spring, Compression 5/8 X 2200 Lbs	6	12871	12
Bolt, Hex 1/2-18 X 1.75	6	18181	13
Washer, Flat 5/8 X 1.312 X .032	1	13102	14
Nut, Lock 1/2-18	1	19818	15
Plate, Dog	1	12887	16
Washer, Friction	2	12879	17
Bearing, Thrust 1.012 X 1.750 X .125	1	11983	18
Bolt, Hex 1/2-18 X 1.0	2	18013	19
Sub, Quick Hitch	2	24824	20
Gasket, Attachment	1	2028	21



ITEM NO.	PART NO.	QTY.	DESCRIPTION
1	22482	1	Shaft, Quick Hitch
2	11841	1	Ring, Retaining
3	32050	1	Bearing, Ball 1.000 x 2.000 x .562
4	34761	1	Adapter, Quick Hitch
5	22479	2	Stud, Quick Hitch
6	120378	2	Nut, Hex 1/2-13
7	11227	1	Bearing, Needle 1.000 x 1.250 x .500
8	124920	6	Nut, Lock 5/16-24
9	12868	1	Plate, Back
10	22480	1	Plate, Drive
11	22434	1	Assembly, Clutch Attachment
12	12871	6	Spring, Compression 3/4 x 2200 Lb/in
13	181618	6	Bolt, Hex 5/16-24 x 1.75
14	131016	1	Washer, Flat .656 x 1.312 x .095
15	19918	1	Nut, Lock 5/8-24
16	12867	1	Plate, Dog
17	12870	2	Washer, Friction
18	11983	1	Bearing, Thrust 1.012 x 1.750 x .125
19	180173	2	Bolt, Hex 1/2-13 x 1.0
20	24824	2	Stud, Quick Hitch
21	5056	1	Gasket, Attachment