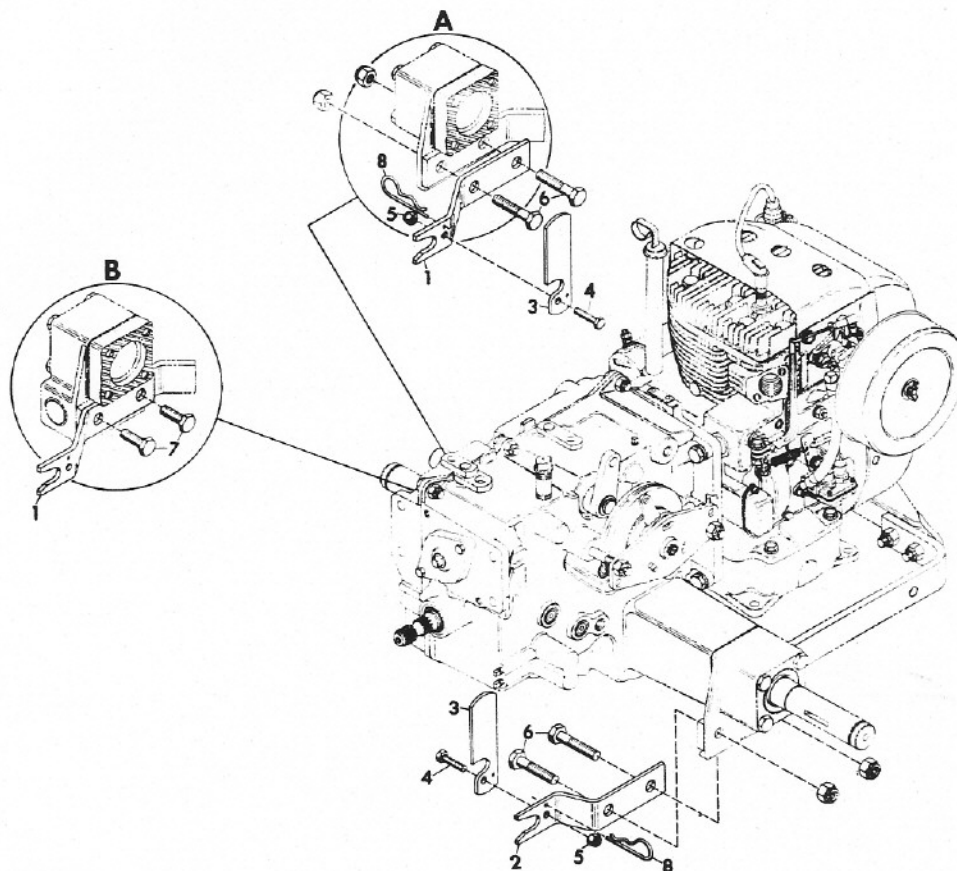


GRAVELY[®] ILLUSTRATED PARTS LIST

NAME: AXLE LATCH KIT

PART NUMBER(S): 19768



ITEM NO.	PART NO.	DESCRIPTION
1	19766P1	Plate, Axle Latch R.H.
2	19767P1	Plate, Axle Latch L.H.
3	19172P1	Strap, Locking
4	180124	Bolt, Hex 3/8-16 x 1-1/4
5	456004	Nut, Lock 3/8-16 Washer Insert Hex
6	180181	Bolt, Hex 1/2-13 x 2
7	180175	Bolt, Hex 1/2-13 x 1-1/4
8	10405P1	Pin, Hair Cotter

NOTE: Item 6 (Part No. 180181) in circle "A" to be used on tractor with standard axle bearing retainer.

Item 7 (Part No. 180175) in circle "B" to be used on tractor with axle bearing retainer for rear P.T.O.

To continue its program of quality and design improvement, the manufacturer reserves the right to change specifications, designs and prices without notice and incurring obligation.

Form No. 21026 (6-75)

Printed in U.S.A.