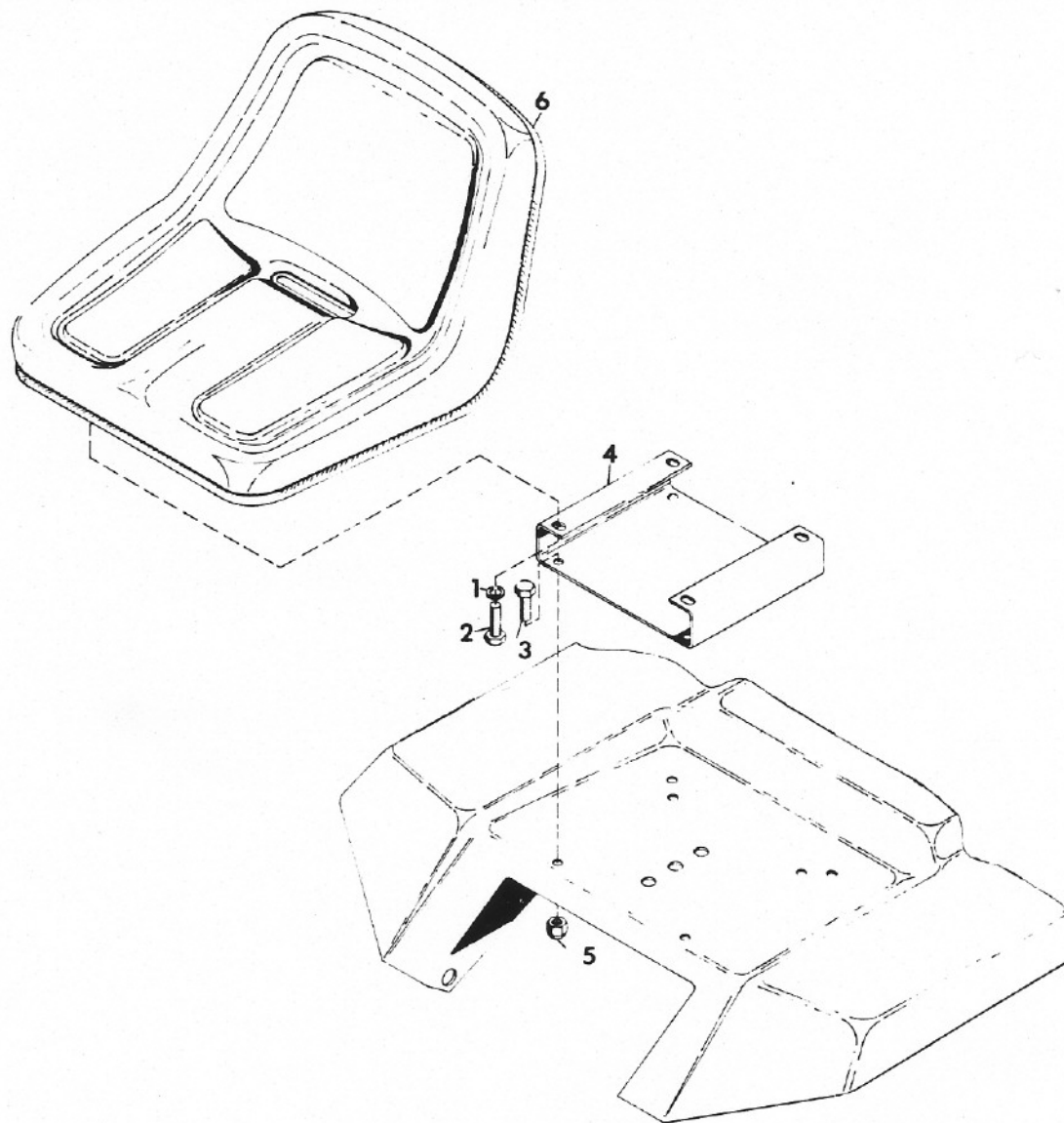


GRAVELY ILLUSTRATED PARTS LIST

NAME: DELUXE SEAT KIT

PART NUMBER(S): 21496



Item No.	Part No.	Qty.	Description
1	120214	4	Washer, Lock; 5/16 Reg.
2	180075	4	Bolt, Hex; 5/16-18 x .62
3	180077	4	Bolt, Hex; 5/16-18 x .75
4	21422	1	Support, Seat
5	413447	4	Nut, Lock; 5/16-18 Hex
6	21423	1	Seat, High Back

To continue its program of quality and design improvement, the manufacturer reserves the right to change specifications, designs and prices without notice and incurring obligation.

Form No. 32039 (8-79)

Printed in U.S.A.