

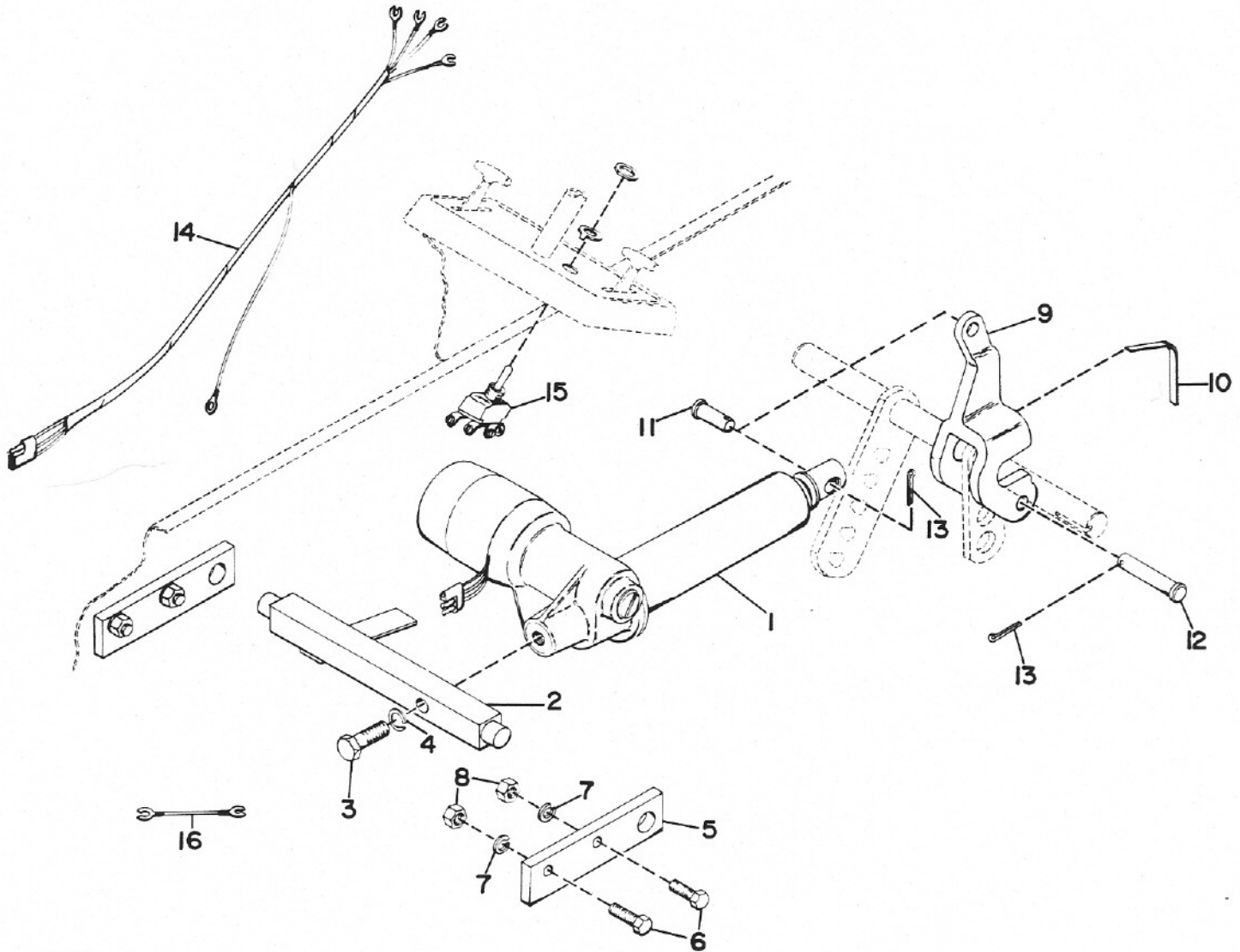


To continue its program of quality and design improvement, the manufacturer reserves the right to change specifications, design or prices without notice and without incurring obligation.

ILLUSTRATED PARTS LIST

ELECTRIC LIFT KIT

Model Number 14983E1
 Effective Date 8-15-72
 Form Number 19831P1



<u>ITEM NO.</u>	<u>PART NO.</u>	<u>DESCRIPTION</u>
1	14957P1	Actuator
2	14955A1	Lift Bar Weldment
3	180177	1/3-13 x 1-1/2 Hex Head Bolt
4	120384	1/2 Spring Lockwasher
5	14952P1	Mounting Bracket
6	180122	3/8-16 x 1 Hex Head Bolt
7	120382	3/8 x .170 x .123 Sp. Lockwasher
8	120377	3/8-16 x 9/16 x 21/64 Fin. Hex Nut
9	15719P1	Fork Lift
10	14951P1	Flat Spring
11	14959P1	1/2 x 1.3 Clevis Pin
12	14960P1	1/2 x 2.75 Clevis Pin
13	120169	5/32 x 1 Cotter Pin
14	14958P1	Wiring Harness
15	14961P1	Lift Switch
16	15672P1	Jumper Wire