

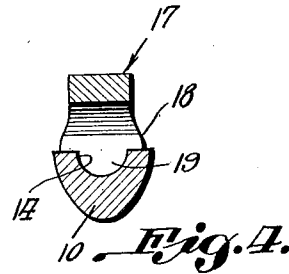
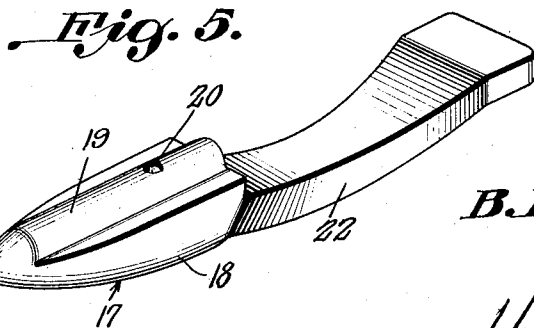
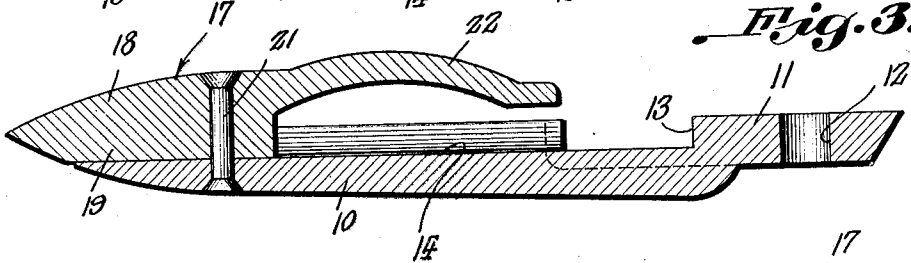
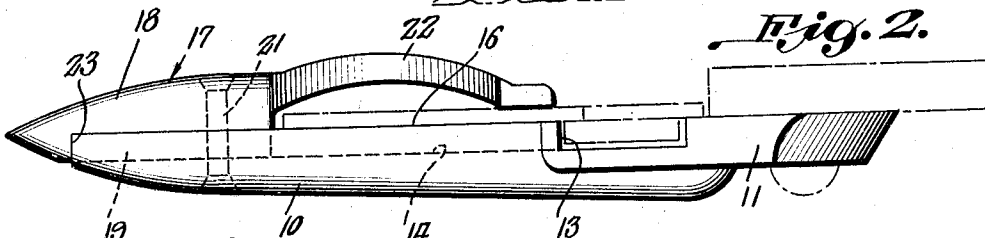
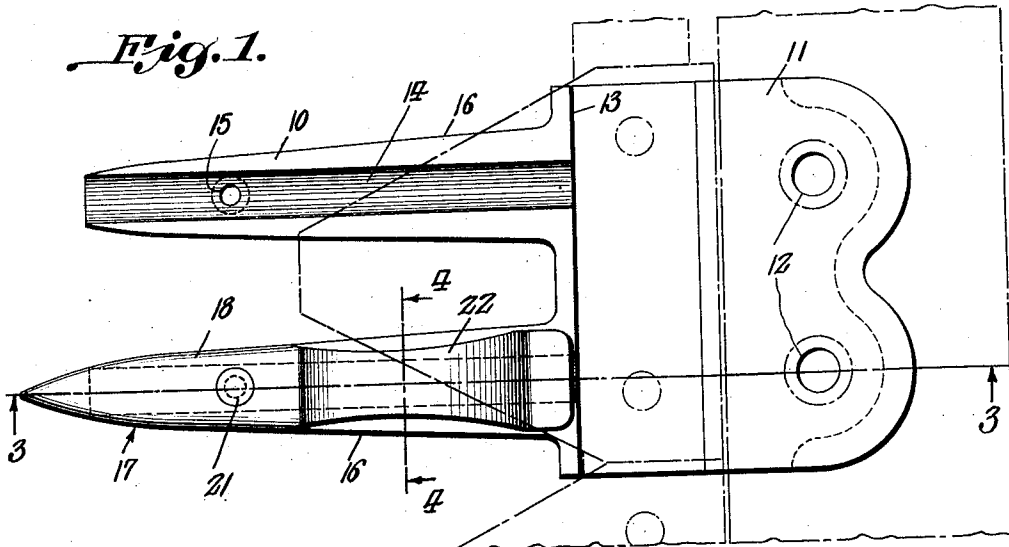
Sept. 6, 1932.

B. F. GRAVELY

1,876,220

CUTTER GUARD

Original Filed May 30, 1930



B. F. Gravelly, Inventor

By *Horace C. Chandler*  
Attorney

# UNITED STATES PATENT OFFICE

BENJAMIN F. GRAVELY, OF DUNBAR, WEST VIRGINIA

## CUTTER GUARD

Application filed May 30, 1930, Serial No. 457,550. Renewed June 21, 1932.

This invention relates to new and useful improvements in mowing machine devices, and particularly to cutter guards and fingers.

One object of the invention is to provide a device of this character wherein the use of the usual leger plate is obviated.

Another object is to provide a device of this character wherein the lip of the guard finger is adapted to be removed to permit sharpening the cutting edges of the finger.

Other objects and advantages will be apparent from the following description when taken in connection with the accompanying drawing.

In the drawing:

Figure 1 is a plan view of a guard finger made in accordance with the present invention.

Figure 2 is a side elevation of the same.

Figure 3 is a vertical longitudinal sectional view on the line 3—3 of Figure 1.

Figure 4 is a vertical transverse sectional view on the line 4—4 of Figure 1.

Figure 5 is an inverted perspective view of one of the lips removed from the guard finger.

Referring particularly to the accompanying drawing, there is shown a cutter guard unit, which consists of two guard fingers 10, connected at their rear ends by the body portion 11. In the extreme rear of the portion 11 there are formed openings 12 for receiving fastening devices, not shown, by means of which said unit is adapted to be secured to a mowing machine arm, in connection with a number of other similar units. Formed transversely in the upper face of the body portion 11, immediately rearward of the bases of the fingers 10, is a groove 13 which is adapted to receive the cutter bar, not shown. Formed longitudinally in the upper face of each of the fingers 10, and extending through the outer end thereof, is a groove 14, and in the bottom of said groove, adjacent the outer end thereof, there is formed the vertical opening 15. The upper face of each finger is flat, as clearly seen in the transverse sectional view, and where the long sides of said upper face join the sides of the transversely curved bottom of said finger, are produced the cutting edges 16, which are adapted to cooperate

with the knives of a cutter bar, for cutting grass, grain, and the like. It is to be understood that the guard fingers and the lips are steel forgings, whereby to permit grinding the cutting edges 16, and whereby such edges will properly maintain their sharpness, thus obviating the use, in this guard finger, of the ordinary leger plates.

A lip, represented as a whole by the numeral 17, is secured to each guard finger, as clearly shown in the drawing, such lip including the body portion 18, having its outer end formed in tapering conformation with the forward end of the guard finger, as clearly shown in the side and plan views, said lip having on the lower face of its outer end portion, the longitudinal rib 19, which is fitted in the outer end portion of said groove 14, there being a vertical opening 20 through this portion of the lip for registry with the opening 15, for receiving the securing rivet or bolt 21. From the rear end of the body 18, of the lip, there extends a longitudinally and upwardly arched arm 22, the rear extremity of which is disposed in spaced relation above the upper face of the guard finger, to a sufficient degree to permit cutting knives to properly slide therebetween, transversely of the guard finger, and held thereby for properly cooperating with the cutting edges of said finger.

It will be noted that the forward end of the lip is formed with a shoulder 23, on each side of the front end of the rib, which shoulder fits against the front end of the finger, so that the sides of the nose of the said lip conform with the adjacent sides of the guard finger. These shoulders serve to limit the inward sliding movement of the lip, when same is being applied to the guard, whereby the inner end of the arm 22 will lie in its proper position over the upper face of the guard, and the openings of the lip and guard properly register for the reception of the rivet or bolt 21.

By removing the rivet or bolt 21, the lip may be taken off, so that the cutting edges 16, of the guard, may be easily sharpened, as will be readily understood.

What is claimed is:

A cutter guard unit for mowing machines and the like comprising a body having a guard

finger projecting therefrom, said finger having its longitudinal marginal edges formed for cutting action with a cutting knife reciprocated thereacross, the upper face of said  
5 finger having a longitudinal central groove, and a removable lip disposed on said upper face having on the outer end portion of its lower face a longitudinal rib arranged to be received in the corresponding portion of the  
10 said groove, said lip having a rearwardly extending upwardly arched arm the rear extremity of which bears on the upper face of said cutting knife.

In testimony whereof, I affix my signature.  
15 BENJAMIN F. GRAVELY.

20

25

30

35

40

45

50

55

60

65