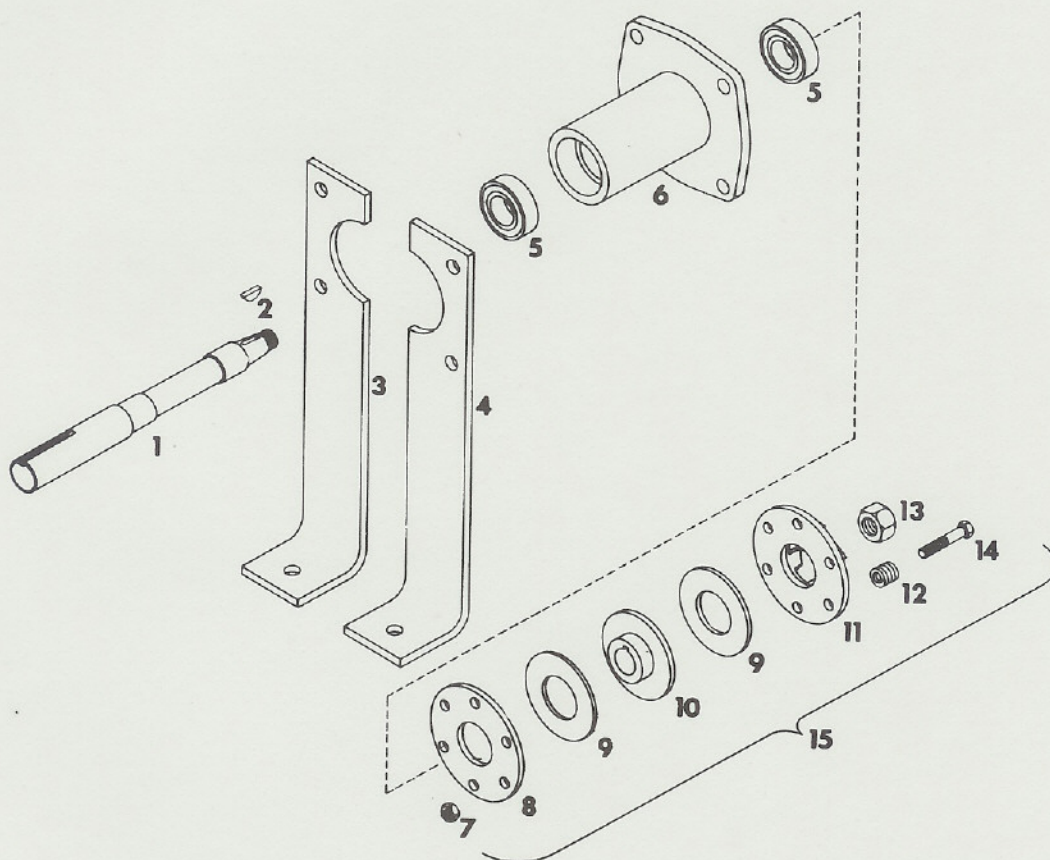




ILLUSTRATED PARTS LIST

POWER TAKE OFF

Model Number 15605E1
Effective Date 5-01-74
Form Number 20794L1



<u>ITEM NO.</u>	<u>PART NO.</u>	<u>DESCRIPTION</u>
1	12515P1	Shaft, Power Take Off
2	124549	Key, Woodruff 3/16 x 3/4 Hard
3	13674P1	Stand, Right, Power Take-Off
4	12516P1	Stand, Left, Power Take-Off
5	12517P1	Bearing, Ball .984 x 2.047 x .812
6	12514P1	Power, Take-Off Bearing Housing
7	18277P1	Nut, Lock Esna 5/16-24 Light Thin
8	12868P1	Plate, Back
9	12870P1	Washer, Friction
10	12872P1	Plate, Drive
11	12867P1	Plate, Dog
12	12871P1	Spring, Comp Type 3/4 x 2200 Rate
13	13412P1	Nut, Lock Esna 5/8-18 Light Thin
14	181618	Bolt, Hex 5/16-24 x 1-3/4
15	10104A1	Clutch, Attachment Assembly