

RETRO-FIT KIT

SECTION 1

Installation Instructions

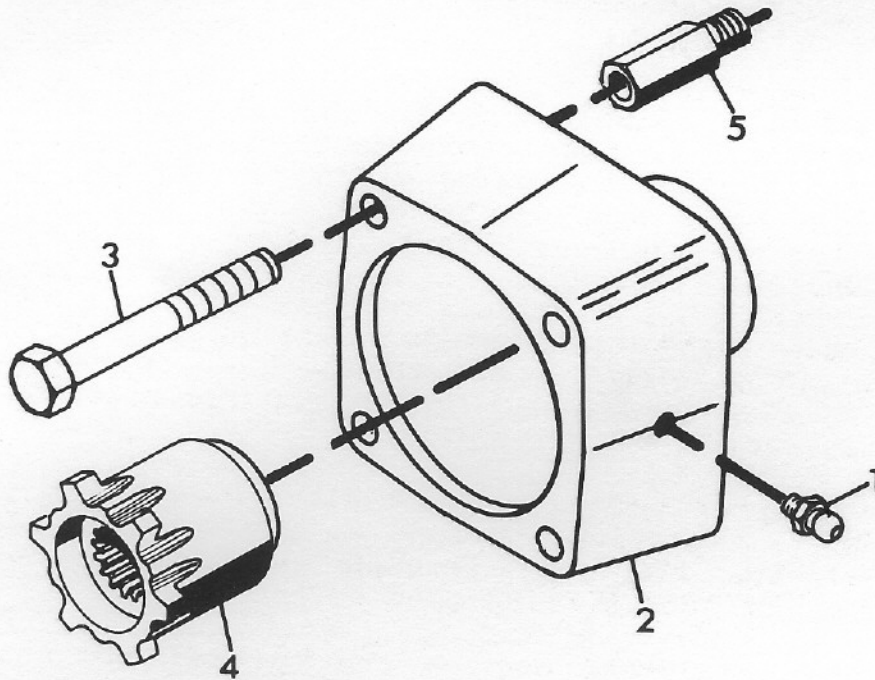
The Retro-Fit Kit is designed to fit Gravely attachments equipped with the slip clutch to the closed nosed two-wheel tractors and to Professional walk-behind tractors without modification. The tractor quick hitch casting is equipped with a slip clutch. See tractor Operator's Manual. Lock the slip clutch of the attachment tight with no adjustment. See attachment Operator's Manual.

1. If the top quick hitch studs, Part No. 24824, are in the quick hitch casting, remove them. Install the quick hitch studs included in this kit in the top two holes in the quick hitch casting.
2. Fit the adapter onto the quick hitch casting of the tractor with the flat machined surface to the outside. The splined shaft of the PTO goes through the smaller hole of the adapter. The lube fitting goes on the side.
3. Slide the attachment dog on the splined PTO shaft of the tractor and pack with general purpose grease.
4. Fasten attachment and adapter to the quick hitch studs on tractor with the four 1/2-13x4.0 hex bolts. It may be necessary to rotate the drive to install all four bolts.

NOTE: Lubricate the adapter through the lube fitting every 40 operating hours with general purpose grease. Lubricate until grease comes out around the PTO shaft between adapter and tractor.

SECTION 2

Illustrated Parts and Parts List



ITEM NO.	PART NO.	QTY.	DESCRIPTION
1	411027	1	Fitting, Lube 1/4-28
2	22486	1	Adapter
3	180194	4	Bolt, Hex 1/2-13x4.0
4	21343	1	Dog, Attachment
5	22479	2	Stud, Quick Hitch