

# GRAVELY ROTARY CULTIVATOR

## ILLUSTRATED PARTS AND PRICE LIST

**GRAVELY TRACTORS, INC., DUNBAR, WEST VIRGINIA, U.S.A.**

Effective July 1, 1958

(Covers Models 56, 57, 58-A, and 358. Model Numbers are stamped on the Gear Housing. When ordering parts, be sure to refer to the Model Numbers. This list shows parts and prices for the current model, 358 (which is identical to 58-A). Parts for older models are discussed in the "notes" and asterisks (\*) are used to show parts which are so discussed.)

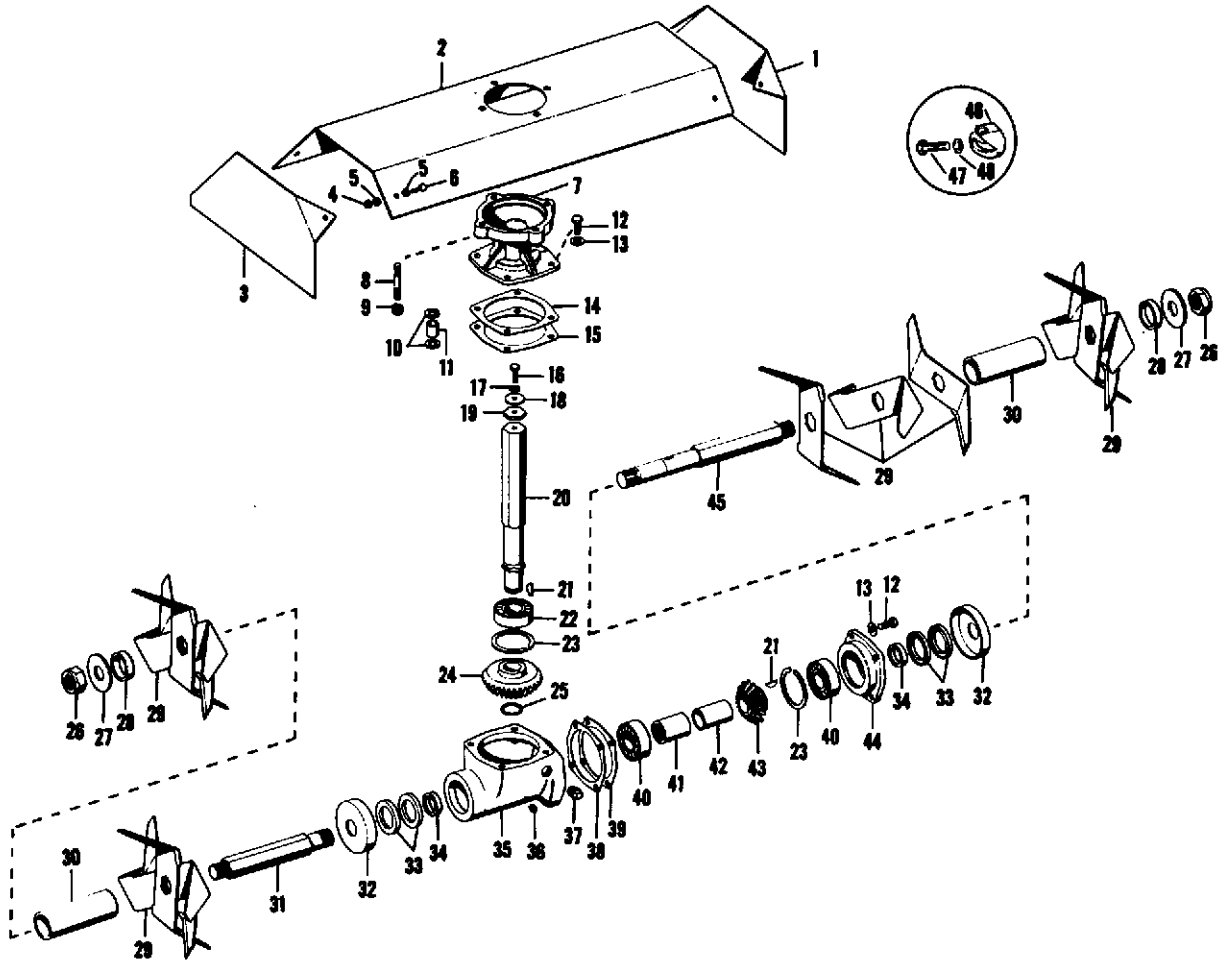


Photo No.	No. Req'd	Part No.	Description	Price
1	1	RC-116-B	Left End Dirt Shield	\$ .99
2	1	RC-115	Dirt Shield	4.13
3	1	RC-116-A	Right End, Dirt Shield	.99
4	6	201-N	Nut, Dirt Shield	.02
5	12	401-W	Washer, Dirt Shield	.01
6	6	164-S	Bolt, Dirt Shield	.02
7	1	RC-101	Column Casting	6.06
8	4	RC-117	Column Stud	.22
9	4	243-N	Nut, Column Stud	.13
10	8	403-W	Washer, for 3213 Spacers	.01
11	4	3213	Spacer, for Rotary Plow Nut Tightening	.09
12	8	110-S	Bolt, Gear Housing	.07
13	8	305-W	Lockwasher, Gear Housing	.01
14	1	5056	Gasket, Column Shim, Column, .005 thickness	.09
15	5317		Shim, Column, .020 thickness	.07
16	1	183-S	Bolt, Hex Washer	.03
17	1	303-W *	Lockwasher, Hex washer	.01
18	1	RC-123 *	Steel Hex Washer	.06

Photo No.	No. Req'd	Part No.	Description	Price
19	1	RC-122 *	Rubber Hex Washer Seal	.12
20	1	RC-106 *	Drive Shaft, Vertical	3.14
21	2	508-K	Key, Bevel Gear	.02
22	1	BB-112 *	Bearing, Sealed One Side, Vertical Shaft	4.57
23	2	RR-207	Ret. Ring, Bearing	.28
24	1	RC-104 *	Bevel Gear	10.45
25	1	RR-105	Ret. Ring, Bevel Gear	.22
26	2	225-N	Nut, Tine Shaft	.50
27	2	412-W	Washer, Tine Shaft Nut	.07
28	2	RC-114	End Spacer	.28
29	12	RC-110	Hoe Tine	1.53
30	2	RC-113	Tine Spacer	.50
31	1	RC-107	Tine Shaft, Short	3.58
32	2	RC-121 *	Shield Cup	.25
33	2 or 4	OS-113 *	Oil Seal, Use one seal each side if 7/16" thick seal supplied, or 2 seals each side if 1/4" thick seal supplied.	1.18

Photo No.	No. Req'd	Part No.	Description	Price
34	2	RC-118	Brg. Spacer	.55
35	1	RC-102 *	Gear Case	8.23
36	1	701-P	Pipe Plug, Oil Level	.07
37	1	702-P	Pipe Plug, Oil Filling	.08
38		SH-114	Shims, End Cap, .005 thickness	.14
			Shims, End Cap, .020 thickness	.18
39	1	M-488	Gasket, End Cap	.06
40	2	BB-105	Ball Bearing, Plain, Horizontal Shafts	4.13
41	1	RC-109	Coupling	1.76
42	1	RC-111	Spacer Tube	.33
43	1	RC-105	Bevel Pinion	7.37
44	1	RC-103 *	End Cap	2.96
45	1	RC-108	Tine Shaft, Long	4.13
46	1	5307	Bracket, Angle Positioning	.88
47	1	170-S	Bolt, Bracket	.10
48	1	410-W	Washer, Bracket	.01
Not Shown		RC-118-S *	Spacer Shims	.06

**NOTE:**

1. Models 56, 57 and 58 used flat shield washer, part RC-119, instead of shield cup RC-121. Part RC-121 is interchangeable with RC-119, and the factory recommends conversion to RC-121.

2. Models 56, 57, & 58 did not include the dirt seal on the vertical shaft, consisting of parts RC-122, RC-123, 163-S and 303-W. These can be added to models 56, 57 and 58 by drilling and tapping a 1/4-20 threaded hole in the end of RC-106 drive shaft.

3. Model 56 Cultivator was with shielded ball bearings

and without oil seals. The factory recommends replacing when servicing to convert to the use of oil seals, which requires the following parts: (The old style parts are discontinued, and any orders received at the factory will be filled with new style parts).

RC-102 Gear housing, (now bored for oil seals, and not bored for oil seals on model 56).

RC-103 end cap (now bored for oil seals, and not bored for oil seals on model 56).

RC-118 spacer, replacing RC-112 spacer.

OS-113 oil seals.

BB-112 bearings are used in the horizontal shaft on model 56, shielded bearings. BB-105 bearings, without shields, may be ordered whenever oil seals are to be used (although BB-112 can also be used with oil seals).

4. The RC-104 gear was formerly threaded, and changed to press fit to the shaft, without changing the part number. Only the press fit gear will be supplied on repair orders. Usually, it is necessary to order the RC-106 shaft, along with the RC-104 gear.