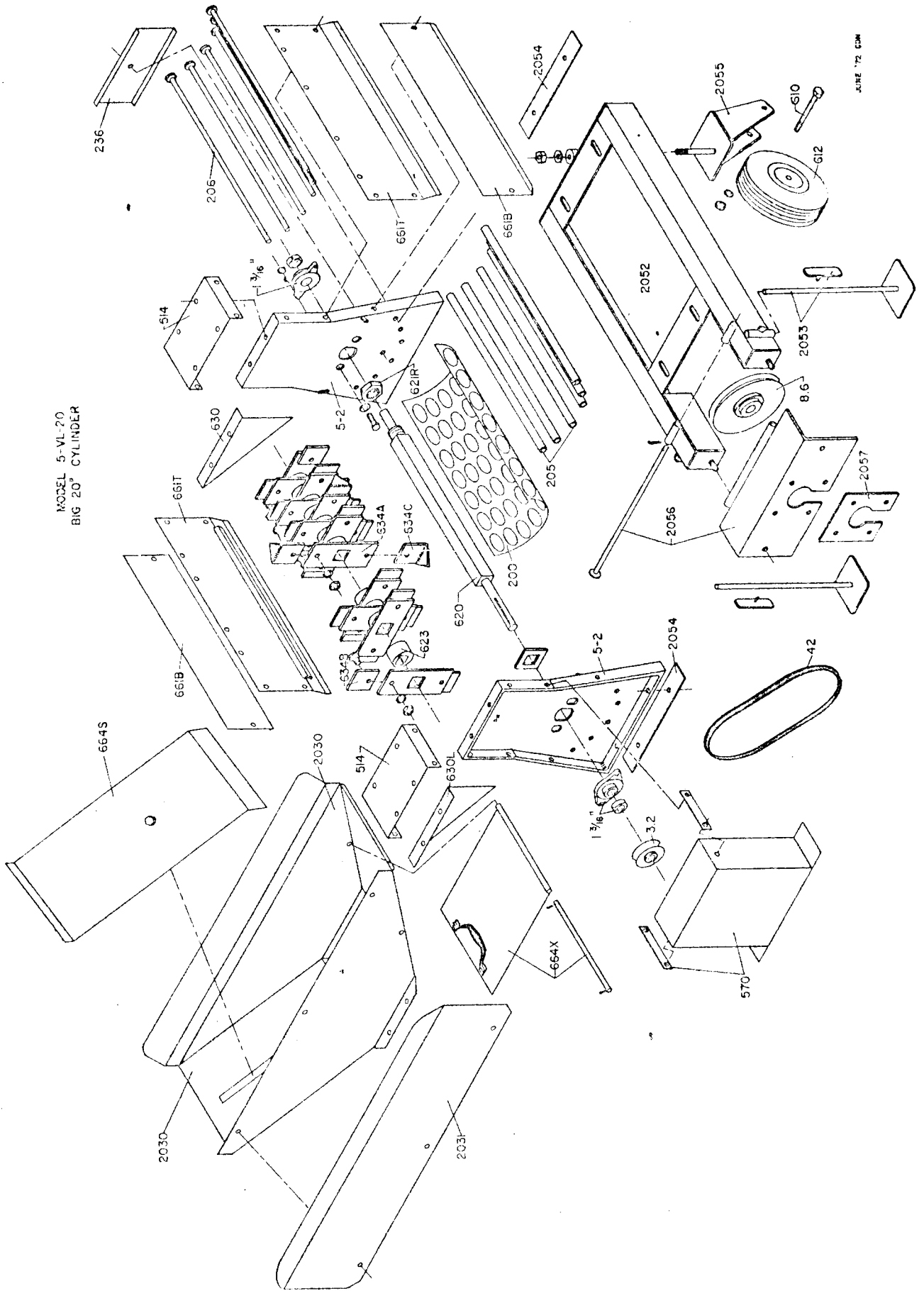


THE W-W GRINDER CORPORATION
 2957 NORTH MARKET, WICHITA, KANSAS 67219
 REPAIR PARTS LIST FOR MODEL 5-VL WITH 20" CYLINDER
 EFFECTIVE NOVEMBER 1, 1977
 (PRICES AND SPECIFICATIONS SUBJECT TO CHANGE WITHOUT NOTICE)
 ALL PRICES F.O.B. WICHITA
 PRICES DO NOT INCLUDE TRANSPORTATION CHARGES

DESCRIPTION	PART NO.	NO. REQ'D	PRICE EACH
Main Frame, Side Casting	5-2	2	\$ 32.60
Main Frame, Top Plate w/ Cutter Bar	661T	1	17.70
Main Frame, Bottom Plate	661B	1	6.70
Main Frame, Top Plate	514	2	5.50
Main Frame, Hopper	2030	1	30.60
Hopper Slide	664S	1	7.70
Cylinder Baffle, Left	630L	1	2.20
Cylinder Baffle, Right	630	1	2.20
Cylinder Bearing Sealed In Housing	1-3/16	2	14.60
Cylinder Shaft	620	1	27.80
Cylinder Shaft Spacers	623	11	1.80
Cylinder Shaft Hammer Bodies	634A	12	6.10
Cylinder Shaft Straight Hammer Tip	634B	20	1.40
Cylinder Shaft Knife Hammer Tip	634C	4	2.80
Cylinder Shaft Nut	621R	1	4.70
3.2 1-3/16" Shaft Sheave	3.2	1	5.80
Belt Guard	570	1	6.70
Base Frame	2052	1	38.30
Base Frame Leg and Adjusters	2053	2	4.50
Swinging Hopper Lid w/Pin	664X	1	6.40
Screens	200	1	16.50
Roller	205	6	2.40
Roller Rods	206	6	2.50
Rod Retainer Plate	236	1	2.60
Base Frame Rods	2054	4	.75
Nose Wheel	612	1	8.70
Wheel Axle Bolt and Nut	610	1	1.90
W-W Green Paint 16 oz. Aerosol Can			3.50
W-W Red Paint 16 oz. Aerosol Can			3.50

NOTE: ALWAYS GIVE MODEL AND SERIAL NUMBER WHEN ORDERING PARTS.



MODEL 5-VL-20
 BIG 20" CYLINDER

JUNE '72 CDM